

Product Specifications



MPGU-15

Description

Line Voltage Monopoint for use with GU-10 50W lamps

Available Finishes:

Black
Brushed Steel
Oil Rubbed Bronze
White

Product Code:

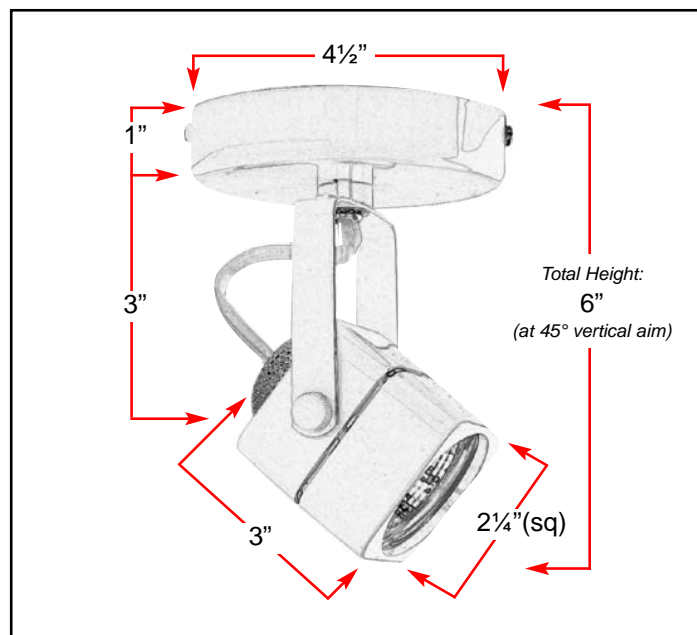
MPGU-15-BLK
MPGU-15-BST
MPGU-15-ORB
MPGU-15-WH

- 170° vertical aiming capability with 330° horizontal rotation.
- Locking knobs provided.



Specifications

120V 60Hz 50W max.
Bulb type: GU-10
Conforms to UL standard 1574
Certified to CSA C22.2 NO.9



#110, 6780 Dennett Place, Delta, BC V4G 1N4 - P. (604) 952-5510 F. (604) 952-5513
16650 - 114 Avenue Edmonton, Alberta T5M 3R8 - P. (780) 455-5500 F. (780) 452-1706
#2, 6355 - Danville Rd, Mississauga, Ontario L5T 2L4 - P. (905) 565-9998 F. (905) 565-8881