

# PRODUCT SPECIFICATIONS

## TLGU-27



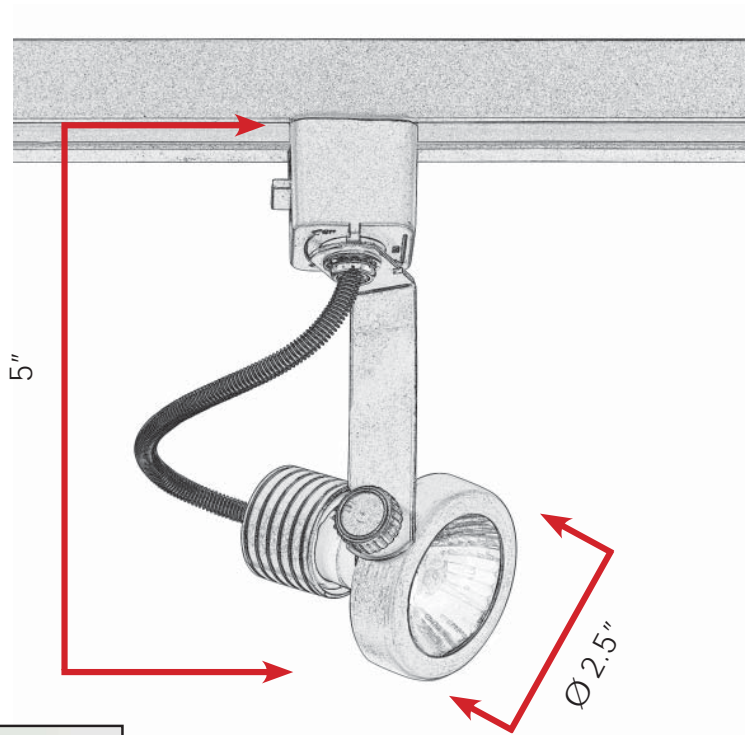
### Description

Line voltage gimbal type track head cylinder for use with GU-10 base lamps.

- Directional light source providing 105° vertical aiming capability with 270° horizontal rotation
- Lamp: GU-10 120V/50W (max.)
- Locking knob provided
- Dimmer compatible
- Porcelain 120V AC GU-10 base socket
- Overall height: 5.5" (max)
- Gimball Ring Dia.: 2.5"
- LED compatible

**120V, 60Hz, 50W Maximum**

Conforms to UL Std. 2108  
 Certified to CSA Standard C22.2 No. 9.0



Available Finishes      Model #

Black	TLGU-27-BLK
Brushed Steel	TLGU-27-BST
White	TLGU-27-WH



Project:	
Fixture Type:	
Location:	
Contact info:	

