

# PRODUCT SPECIFICATIONS

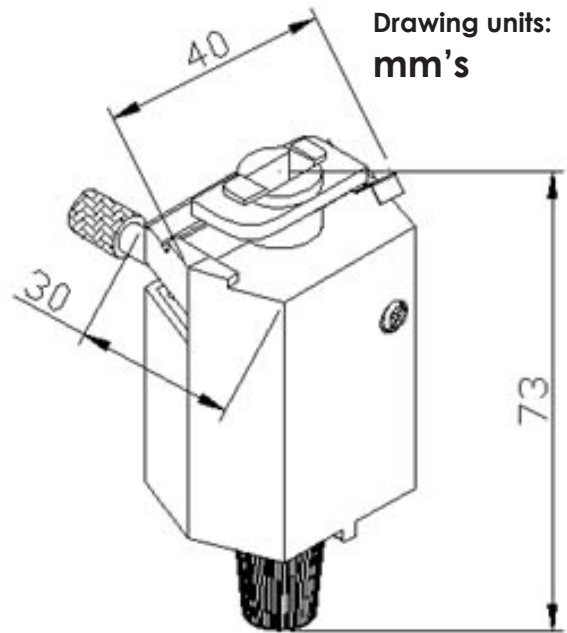
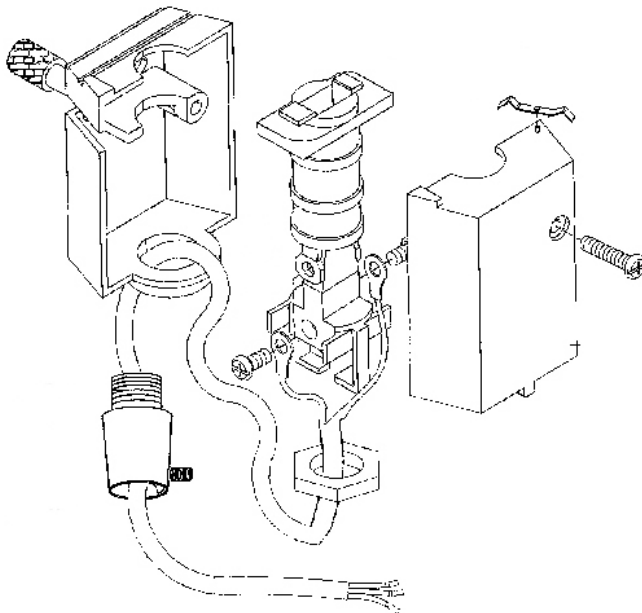
## TA012



### Description

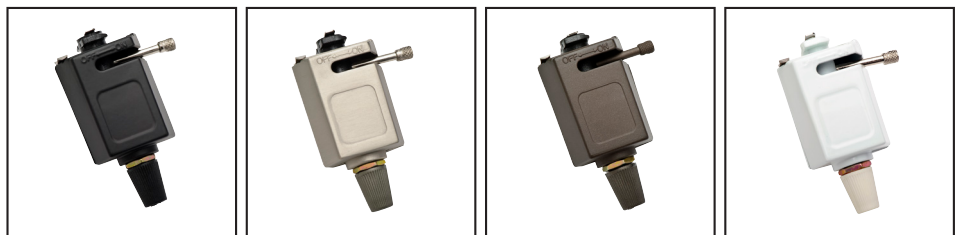
Pendant Adapter for Kendal linear track system

- For use with SVT cord type pendants
- 120V / 20A
- Max. recommended weight: 4 lbs.



### Available Finishes Model #

Black	<b>TA012-BLK</b>
Brushed Steel	<b>TA012-BST</b>
Oil Rubbed Bronze	<b>TA012-ORB</b>
White	<b>TA012-WH</b>



Project:	
Fixture Type:	
Location:	
Contact info:	

