

**CEILING FAN INSTALLATION
AND OPERATION MANUAL
(MODEL NUMBER: AC-31656)**

READ AND SAVE THESE INSTRUCTIONS

SAFETY PRECAUTIONS

WARNING-INSTALLATION SHOULD BE PERFORMED BY A QUALIFIED ELECTRICIAN

1. To ensure the success of the installation, be sure to read the instructions and review the diagrams thoroughly before beginning.
2. All electrical connections must be in accordance with local codes, ordinances or National Electrical Code. If you are unfamiliar with methods of installing electrical wiring secure the services of a qualified electrician.
3. Make sure that your installation will not allow rotating fan blades to come in contact with any object.
4. If you are installing more than one ceiling fan, make sure that you do not mix fan blade sets.
5. Only mount fan to outlet box marked acceptable for ceiling fan.
6. Installation to a concrete ceiling should be performed by a qualified electrician.
7. Before beginning, disconnect power by removing fuse or turning off circuit breaker.
8. After fan is completely installed, make sure that all connections are secured to prevent fan from falling.
9. Do not insert anything into the fan blades while ceiling fan is operating.
10. The fan must be mounted with the blades at least 2.1m from the floor to minimize the possibility of accidental contact with the fan blades.
11. The supply wires Live & Neutral must be connected to wall switch (double poles) having a contact separation at least 3mm in all poles.

NOTE : The important safeguards and instructions appearing in the manual are not meant to cover all possible conditions and situations that may occur. It must be understood that common sense, caution and carefulness are factors which cannot be built into any product. These factors must be supplied by the person(s) caring for and operating the unit.

WARNING

To reduce the risk of personal injury, do not bend the blades when installing the blades, balancing the blades or cleaning the fan. Do not insert foreign objects between rotating fan blades.

WARNING

The box must be supported directly by the building structure. The box and its support must be able support the fan weight - must not twist or work loose. Do not use plastic boxes.

Putting Your Fan Together

1. Remove the hairpin clip & washer from the clevis pin and remove clevis pin from downrod. (See fig.1)
2. Insert the downrod through the center opening in the canopy, canopy hole cover, yoke cover and route the motor leads through the hanger ball/downrod assembly. Align the clevis pin holes in the downrod with the holes in the motor coupling. The clevis pin must pass through the holes in the motor coupling and the downrod. Place the washer onto the clevis pin and install the hairpin clip making sure to push straight leg of the hairpin clip through the hole near hanger ball to make sure the clevis pin is properly installed (See fig.2)
3. Reinstall the 2 set screws in the motor coupling and securely tighten set screws against the downrod assembly.

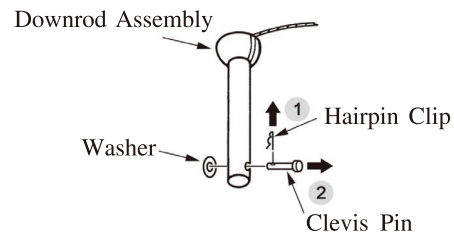


FIG.1

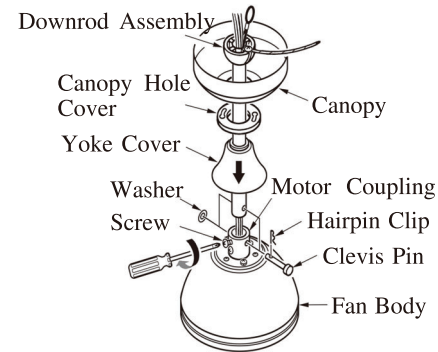


FIG.2

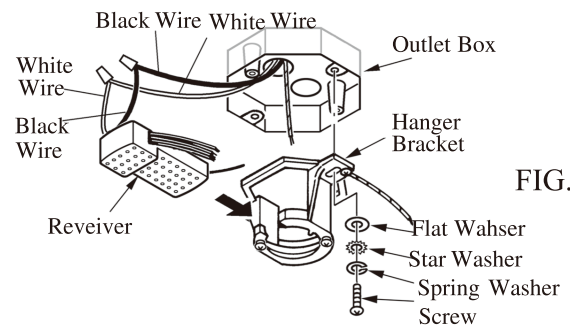


FIG.3

Hanging Your Ceiling Fan

1. Securely attach the hanger bracket to the outlet box by washers and screws supplied. Connect white wire from ceiling to white wire from receiver with wire nut. Connect black wire from ceiling to black wire from receiver with wire nut. (See fig.3)
2. Carefully lift the fan and seat the downrod ball assembly on the hanger bracket. Be sure the groove in the ball is lined up with tab on the hanger bracket. Do not pinch wires between the ball and downrod assembly and hanger bracket (See fig.4)
3. Install the safety cable into the building structure. (See fig.5)

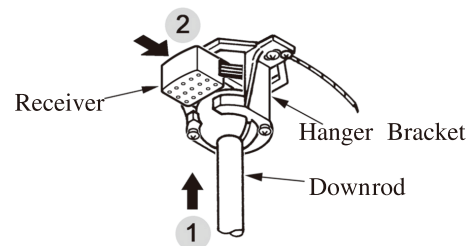


FIG.4

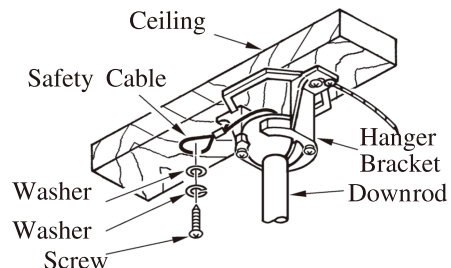


FIG.5

Wiring Your Ceiling Fan

Caution: To avoid possible electrical shock, be sure electricity is turned off at the main fuse box before wiring.

1. If you are not sure that the electrical box is grounded, contact a licensed electrician for advice. It must be grounded for safe operation.
2. Connect the red wire from receiver to the red wire from fan with wire nut. Connect the purple wire from receiver to the purple wire from fan with wire nut. Connect the blue wire from receiver to the blue wire from fan with wire nut. Connect the grey wire from receiver to the grey wire from fan with wire nut. Connect the white wire from receiver to the white wire from fan with wire nut. Connect the green or bare copper wire from outlet box to the green wires from receiver, hanger bracket and downrod ball with wire nut. (See fig.6)

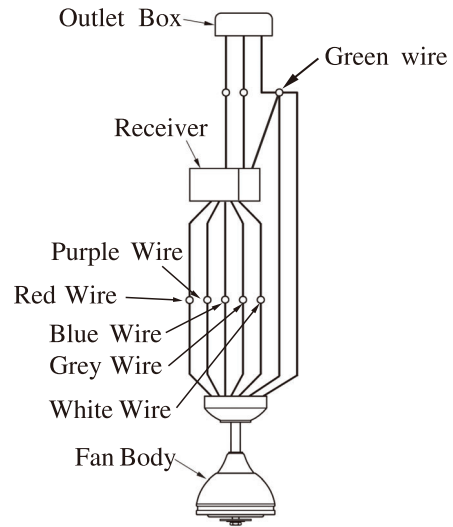


FIG.6

3. Remove one of screws and loosen the other screw from the hanger bracket. (See fig.7)
4. Mount the canopy on the hanger bracket and tighten the screws. (See fig.8)
5. Place the canopy hole cover over the screws and twist the cover to tighten. (See fig.9)

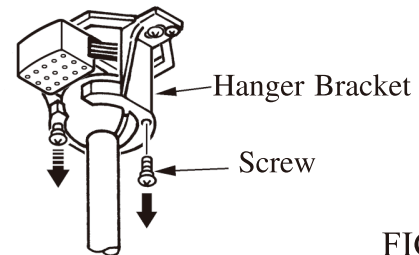


FIG.7

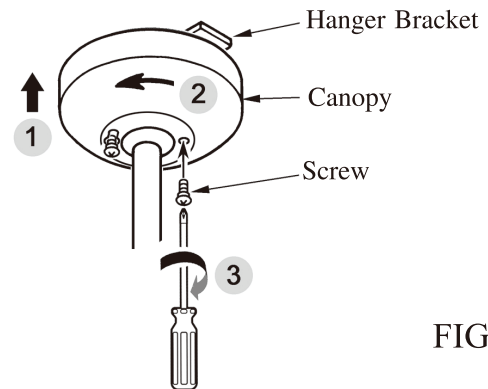


FIG.8

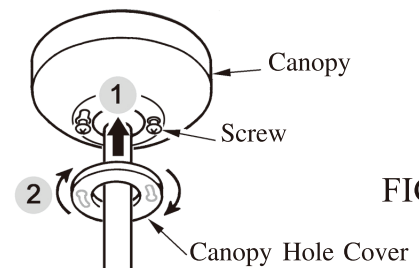


FIG.9

Installing Blade Assembly

1. Install the screw, washer, blade and blade bracket together & tighten them securely. (See fig.10)

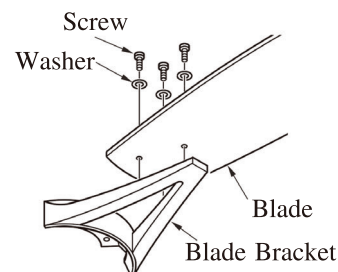


FIG.10

2. Attached each blade assembly to the fan body using the blade bracket screws. Tighten them securely.(See fig. 11)

Caution: To reduce the risk of personal injury. Do not bend the blade when installing, balancing or cleaning the fan. Do not insert foreign objects between rotating fan blades.

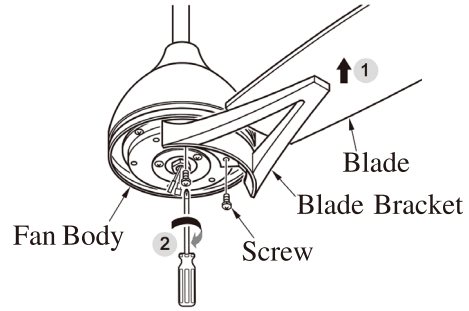


FIG.11

Installing The Bottom Cap

If light not required,you can install the bottom cap.

1. Remove 1 of 3 screws on light kit adapter,and loosen the other 2 screws. (See fig.12)

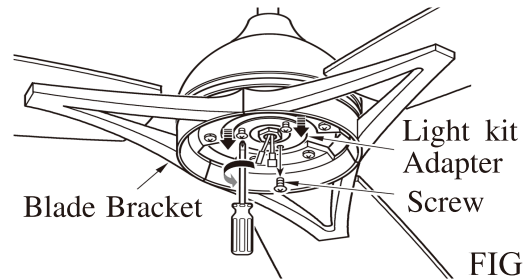


FIG.12

2. Gently pull the wire through light kit plate. Have the key hole over the loosened screws. Turn the light kit plate clockwise, and tighten the previously removed and loosened screws. (See fig 13 & 14)

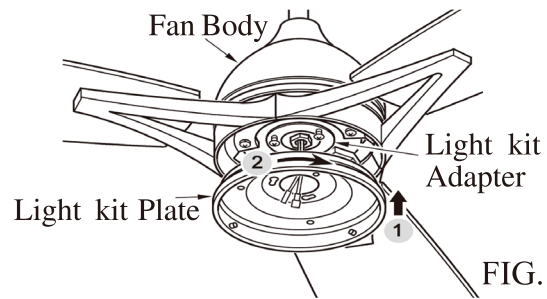


FIG.13

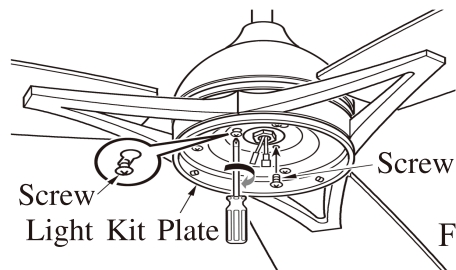


FIG.14

3.Line up slot in bottom cap with tab on light kit plate and turn clockwise until it locks in place and is firm.(See Fig.15)

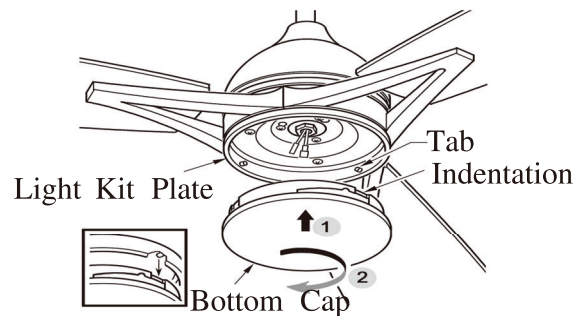


FIG.15

Installing The Light Kit

If the LED light is required ,you can install the LED module

1. Remove 1 of 3 screws on light kit adapter,and loosen the other 2 screws. (See fig.16)

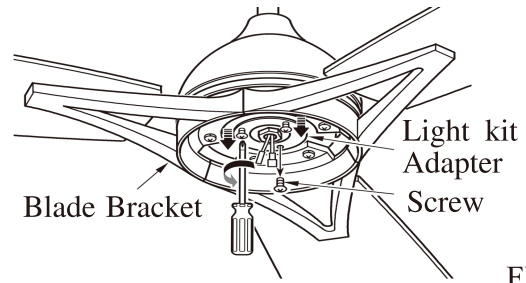


FIG.16

2. Gently pull the wire through light kit plate. Have the key hole over the loosened screws. Turn the light kit plate clockwise, and tighten the previously removed and loosened screws. (See fig 17 & 18)

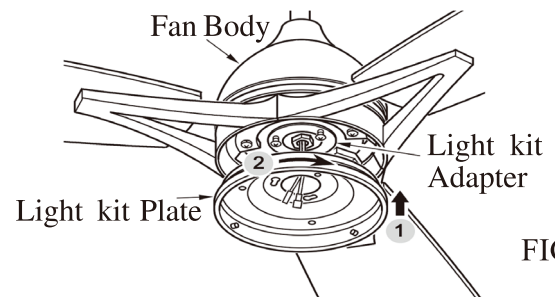


FIG.17

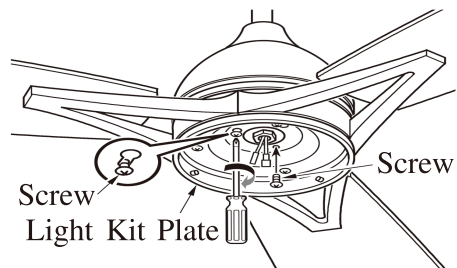


FIG.18

3. Remove 1 of 3 screws on light kit plate,and loosen the other 2 screws.(See fig.19)

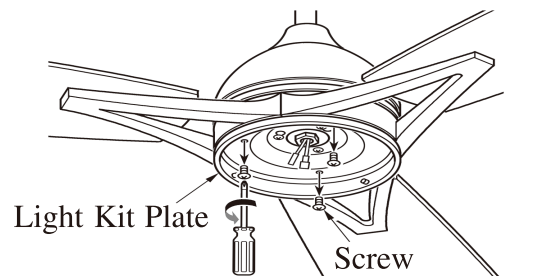


FIG.19

4. Plug together light kit wires from fan to light kit wires from LED light.(See fig.20)

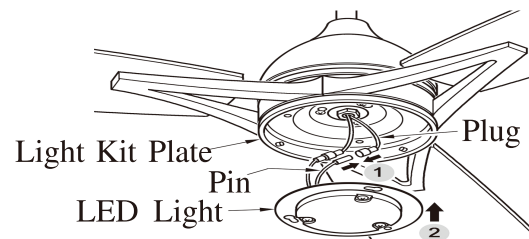


FIG.20

5. Slide the light kit place the key hole over the screws on the light kit plate. Turn light kit until it locks in place at the narrow section of key holes. Then,tighten the previously removed and loosened screws.(See fig.21)

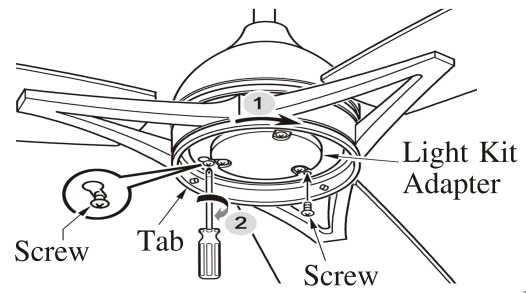


FIG.21

6. Place the inner white PC shade into the outer clear shade.(See fig.22)

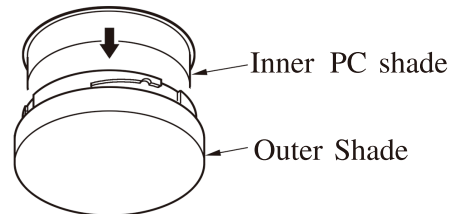


FIG.22

7. Attach the outer shade by locating tabs in light kit with grooves on the light shade and twist clockwise until tight. (See fig.23)

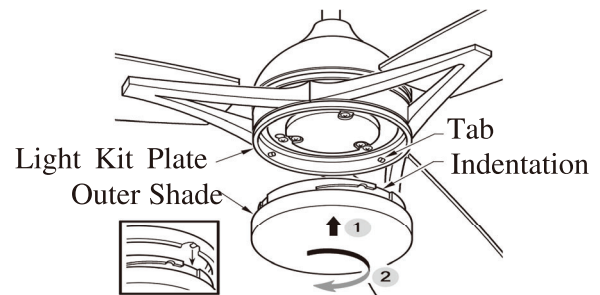
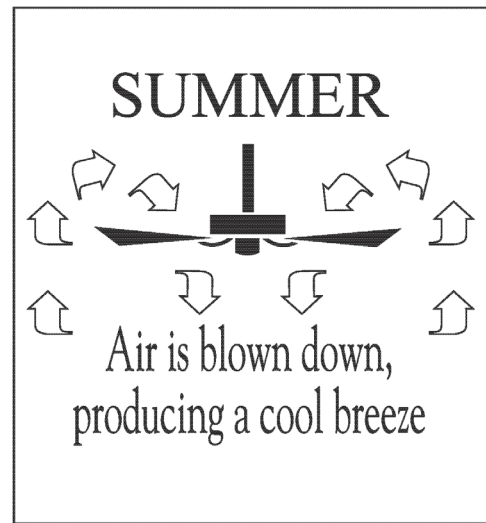


FIG.23

Operation in Summer

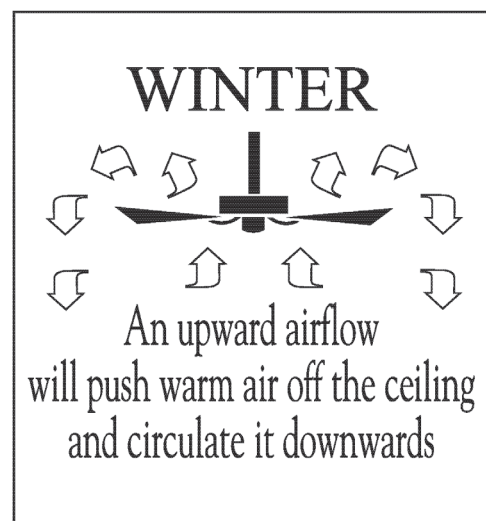
In warm weather, the reverse switch should be set to produce a downward flow of air. The constant, gentle breeze will transfer heat from your body; thus, you will feel cooler even if the temperature remains unchanged. This cooling effect is referred to as a wind-chill factor. In an air-conditioned home, the wind-chill factor will allow you to set the thermostat higher than the usual setting. While using less energy to air-condition your home, you will stay just as cool.

For summer cooling, set the speed control on medium or fast speed. This will provide sufficient airflow to accomplish a cooling effect. The exception to this is in bedrooms where a brisk, downward flow would be too chilly. A low-speed, gentle breeze is all that is necessary to keep you comfortable at night.



Operating in Winter

Winter comfort requires a different approach. Because warm air rises the air close to the ceiling is always warmer-by perhaps 15 degrees-than the air close to the floor. To prevent heat from hovering where it does little good, move the reverse switch to create an upward airflow. This will pull cool air up and force warm air across the ceiling and down the walls. Set the speed control fast enough to break up the air stratification, but slow enough not to create a draft. By keeping the heat circulating, the heater will not have to operate as often to keep you warm.



CARE OF YOUR FAN

Here are some suggestions to help you maintain your fan.

1. Because of the fan's natural movement, some connections may become loose. Check the support connections, brackets, and blade attachments twice a year. Make sure they are secure. (It is not necessary to remove fan from ceiling.)
2. Clean your fan periodically to help maintain its new appearance over the years. Use only a soft brush or lint-free cloth to avoid scratching the finish. The plating is sealed with a lacquer to minimize discoloration or tarnishing. Do not use water when cleaning. This could damage the motor, or the wood, or possibly cause an electrical shock.
3. There is no need to oil your fan. The motor has permanently lubricated sealed ball bearings.

TROUBLESHOOTING

Problem	Solution
Fan will not start.	<ol style="list-style-type: none">1. Check main and branch circuit fuses or breakers.2. Check line wire connections to the fan and switch wire connections in the switch housing.
Fan sounds noisy.	<ol style="list-style-type: none">1. Make sure all motor housing screws are snug.2. Make sure the screws that attach the fan blade bracket to the motor hub are tight.3. Make sure wire nut connections are not rattling against each other or the interior wall of the switch housing.4. Allow a 24-hour "breaking-in" period. Most noises associated with a new fan disappear during this time.5. If using ceiling fan light kit, make sure the screws securing the glassware are tight. Check that the light bulb is also secure.6. Make sure there is a short distance from the ceiling to the canopy. It should not touch the ceiling.7. Make sure your ceiling box is secure and rubber isolator pads are used between mounting bracket and outlet box.
Remote control malfunction.	<ol style="list-style-type: none">1. Do not connect the fan with a wall mounted variable speed control(s).
Fan wobble.	<ol style="list-style-type: none">1. Check that all blade and blade arm screws are secure.2. Most fan wobbling problems are caused when blade levels are unequal. Check this level by selecting a point on the ceiling above the tip of one of the blades. Measure this distance. Rotate the fan until the next blade is positioned for measurement. Repeat for each blade. The distance deviation should be equal within 1/8".3. Use the enclosed Blade Balancing Kit if the blade wobble is still noticeable.4. If the blade wobble is still noticeable, interchanging two adjacent (side by side) blades can redistribute the weight and possibly result in smoother operation.

WARNING: TO REDUCE THE RISK OF PERSONAL INJURY, DO NOT BEND THE BLADE ARM WHILE INSTALLING, BALANCING THE BLADES, OR CLEANING THE FAN. DO NOT INSERT FOREIGN OBJECTS BETWEEN ROTATING FAN BLADES.

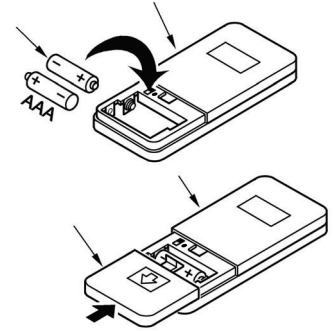
REMOTE CONTROL SETTING AND OPERATION

TRANSMITTER OPERATION

Remove the battery cover from the remote control transmitter and install batteries, Replace the cover.

Note : Use 2 1.5V/AAA batteries (included).

Note : If not using for long period of time, remove battery to prevent damage to remote transmitter, and store the remote transmitter away from excess heat or humidity.



DIMMING / NON DIMMING SETTING

The “O” selection is the light dimmable selection ,the light will cycle from bright to dim to bright until button is released. The “I” selection is the light ON/OFF only (non dimming function). Light will maintain last setting if turned off.

Note: The remote control is pre-set with dimming function at factory,

Note: Ensure electricity is turned off before installing the receiver (Refer to the ceiling fan instructions)

REMOTE CODE SETTING PROCESS

Learn function setting:

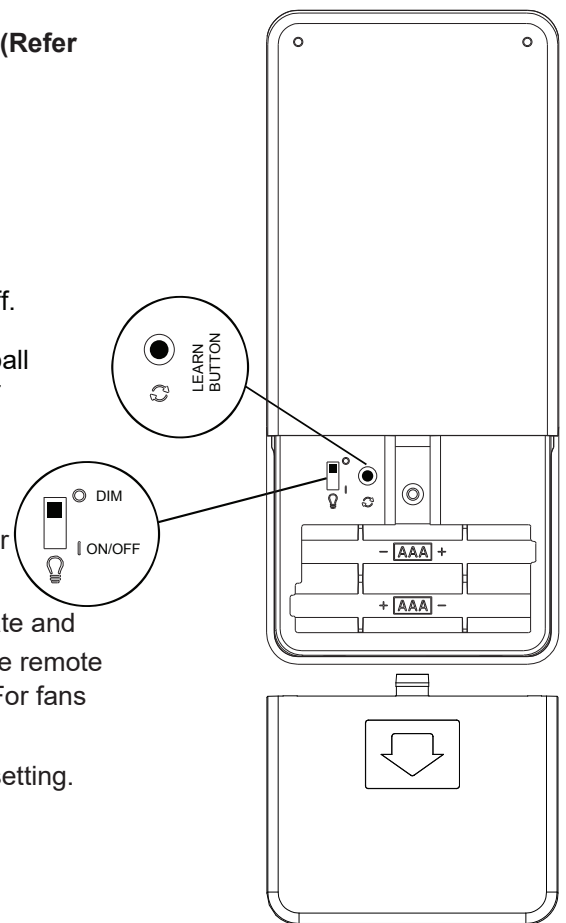
Step 1):Insert the 2pcs of batteries into transmitter,with the fan power off.

Step 2):Within 60 seconds of restring power to the fan,you must use a ball pen or tool to press “LEARN” button about 3 seconds.Once the receiver has detected the frequency,the light will blink twice,then they pair successfully. This will indicate the receiver has learned the frequency that was previously selected on the transmitter.

Note: Power must be off for a minimum 10 seconds, then turn the power back on for remote control learn function setting.

Note: If the fan is installed with light, light will blink 2 times . Fan will rotate and run both directions for approximately 5 minutes and then stop. The remote control setting process is complete and your fan is ready for use. For fans without light, check operation using remote transmitter.

Note: To control multiple fans, ensure the settings are set at the same setting. A fan can be controlled by 2 transmitters maximum.



RECEIVER PROTECTIVE FUNCTIONS






Lock protection- The DC motor has a built-in safety feature against blade or motor obstruction during operation. Should something obstruct the fan blades or motor, the motor will keep trying to run for 5 times and then stop operation after about 60 seconds of interruption. Please remove obstacles and reset. To reset, turn the fan off with remote transmitter and then turn the fan on. Or, you may turn the power off for 15 seconds. Then turn the power back on, and then turn the fan on.

Over load protection (current limit)- The device limits the maximum current output from the receiver/drive when the fan or light load is increased abnormally. The fan will shut off if over lamped.

Remote Control Fan Speed And Light Functions.

Fan speed

- | | |
|-----------------------|------------------|
| 1 = minimum speed | 2 = low speed |
| 3 = medium low speed | 4 = medium speed |
| 5 = medium high speed | 6 = high speed |

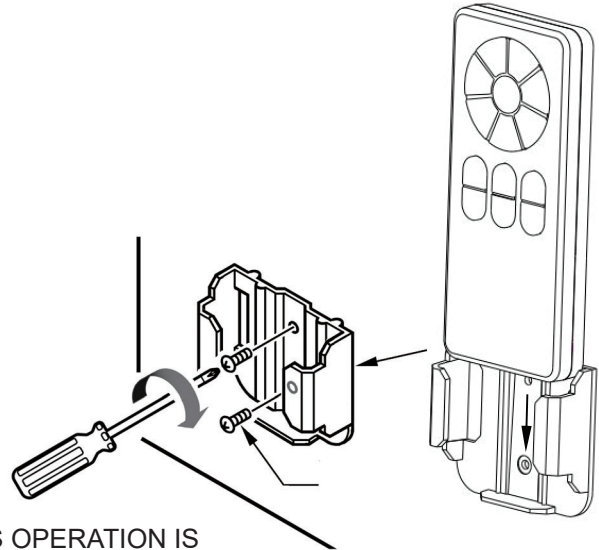
-  This button turns the fan off.
-  Forward/Reverse button - This button controls the direction of the fan rotation. Press once to change direction of the fan rotation. Fan must be running to reverse.
-  Change color-temperature of the light by pressing this button and release instantly.
-  Light button - Press this button to turn light on or off. To dim light (Setting at "O" position), hold down the button, the light will cycle from bright to dim to bright until button is released.
- 2H/4H/8H** Timer button - The fan will turn off after 2/4/8 hours automatically.
-  Natural breeze - Fan speed will modulate to simulate a natural breeze.

Note: This remote control has an auto resume function, the fan and light will maintain the last setting if power is turned off.



WALL MOUNT CRADLE INSTALLATION

Install Transmitter wall mount cradle with 2 screws provided.



THIS DEVICE COMPLIES WITH PART 15 OF THE FCC RULES OPERATION IS SUBJECT TO THE FOLLOWING TWO CONDITIONS. (1) THIS DEVICE MAY NOT CAUSE HARMFUL INTERFERENCE AND (2) THIS DEVICE MUST ACCEPT ANY INTERFERENCE RECEIVED, INCLUDING INTERFERENCE THAT MAY CAUSE UNDESIRE OPERATION.

NOTE:

1. When powering on after installation, the fan may start automatically due to factory preset settings.
2. If fan or light isn't working, reset power (turn the power off for at least 10 seconds and then turn the power back on) and redo the learn function setting.
3. If there are multiple fans in the same room, when setting, please make sure the power supply for the setting fan is independant of the other fans.
4. When turning the fan on or operating the forward/reverse function, it is normal for the fan to rotate and run on both directions, for approximately 1 minute and then stop.

**INSTALLATION DE VENTILATEUR
DE PLAFOND ET LE MANUEL
D'OPERATION**

(NUMERO DE MODEL:AC-31656)

LIRE ET GARDER CES INSTRUCTIONS

PRECAUTION DE SECURITE

AVERTISSEMENT – L’INSTALLATION DOIT ETRE EXECUTE PAR UN ELECTRICIEN QUALIFIE

1. Avant de commencer, lire attentivement les instructions et reviser les figures pour que votre installation soit réussite.
2. Toutes les connections électriques doivent être conformées aux les codes locaux, aux décrets ou codes Eléctriques Nationaux. Si vous ne connaissez pas assez bien les méthodes d’installation électriques, demandez l’aide d’un électricien qualifié.
3. Assurez-vous que les pales de ventilateur en rotation ne toucheront pas ses entourages une fois l’installation soit faite.
4. Si vous installez plusieurs ventilateurs de plafond, vérifiez pour ne pas mélanger les sets de pales.
5. Montez le ventilateur uniquement aux boîtes marquées en conformité au ventilateur de plafond.
6. L’installation du plafond en béton doit être exécutée par un électricien qualifié.
7. Avant de commencer, couper le courant en enlevant le fusible ou couper le disjoncteur.
8. Une fois que le ventilateur sera installé, vérifiez que toutes les connections sont sûres afin d’éviter la chute de ventilateur.
9. Ne pas insérez aucun objet dans les pales de ventilateur qui sont en marche.
10. Eteignez et arrêtez le ventilateur avant d’inverser sa direction.
11. Le ventilateur doit être monté avec les pales au moins 2, 1 m du sol pour minimiser les accidents possibles d’être touché par les pales.
12. Le câble d’alimentation Live & Neutral doit être connecté à l’interrupteur du mur (double pôle) avec au moins 3 mm de contact de séparation dans tous les pôles.

NOTE : Les garanties et les instructions de ce manuel ne couvrent pas toutes les conditions et situations possibles qui pourront arriver. Il doit être compris dans ce bon sens, la prudence et l’attention sont des facteurs qui ne peuvent être construites dans aucun produit. Ces facteurs dépendent de l’attention personnelle de l’utilisateur.

AVERTISSEMENT

Pour diminuer le risque de blessure personnelle, ne pas courber les pales pendant son installation, le balancement des pales ou le nettoyage du ventilateur. Ne pas insérer les objets intruits entre les pales en rotations.

AVERTISSEMENT

La boîte doit être soutenue directement par la structure de l’immeuble. La boîte et son support doivent pouvoir supporter le poids du ventilateur – ne doivent pas être forcés ou relâchés. Ne pas utiliser les boîtes en plastique.

Assemblez Votre Ventilateur

1. Enlever les barrette & le joint de l'épingle de chape et enlever l'épingle de tige inférieure. (Voir fig.1)
2. Insérez la tige inférieure à travers l'ouverture centrale du pavillon, le couvercle du trou du pavillon, le couvercle de l'étrier et acheminez les fils du moteur à travers l'ensemble boule de suspension/tige inférieure. Alignez les trous d'épingle de chape dans la tige inférieure avec les trous dans le moteur de couplage. Les épingles de chape doivent traverser les trous de moteur de couplage et la tige inférieure. Placer le joint sur l'épingle de chape et installer la barrette en assurant de pousser droit le pied de barrette à travers le trou proche de la balle de cintre pour vérifier que l'épingle de chape est correctement installée (Voir fig.2)
3. Réinstaller les 2 sets de vis dans le moteur de couplage et bien fixer les vis contre la tige inférieure assemblée.

Accrocher Votre Ventilateur De Plafond

1. Fixez solidement le support de suspension au boîtier de prise de courant à l'aide des rondelles et des vis fournies. Connectez le fil blanc du plafond au fil blanc du récepteur avec un serre-câble. Raccorder le fil noir du plafond au récepteur au fil noir avec écrou (voir fig. 3)
2. Soulever le ventilateur avec soin et placer la tige inférieure et la balle d'assemblage sur le crochet de cintre. Vérifier que la rainure dans la balle est alignée avec languette sur le cintre. Insérer le récepteur dans le crochet de cintre. Ne pas pincer les câbles entre la balle est la tige d'assemblage et le crochet de cintre (Voir fig.4)
3. Installer le câble de sécurité dans la structure d'immeuble (Voir fig.5)

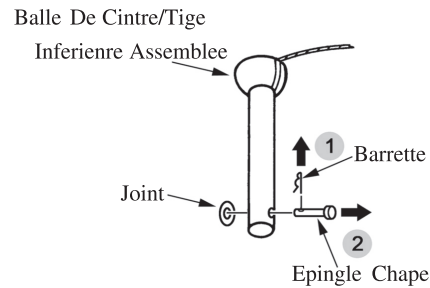


FIG.1

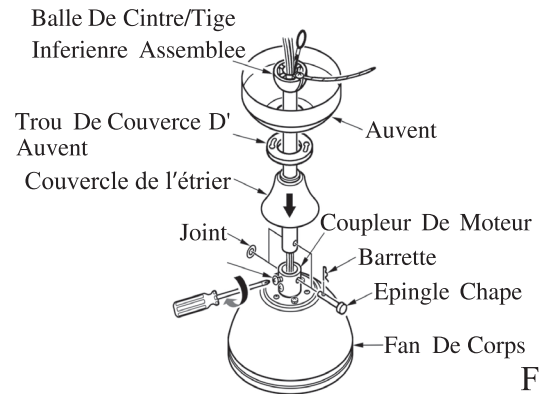


FIG.2

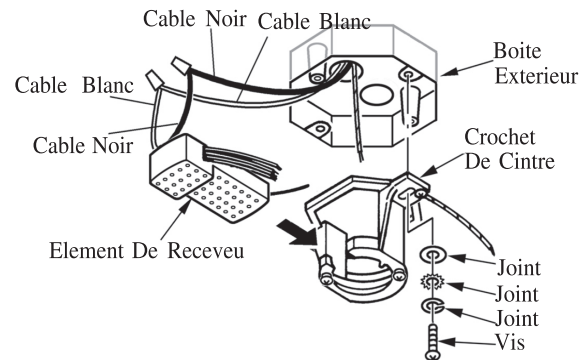


FIG.3

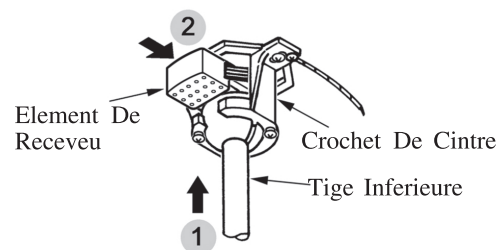


FIG.4

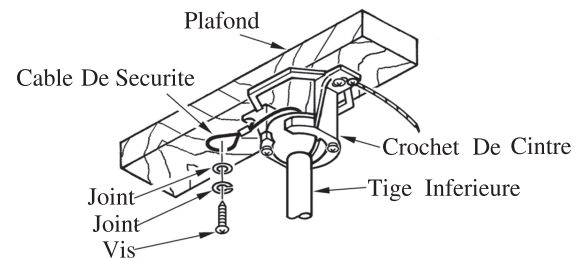


FIG.5

Connecter Votre Ventilateur De Plafond

Avertissement : Pour éviter tout le choc électrique possible, avant de faire la connexion, vérifier que la boîte principale de fusible est bien coupée.

1. Si vous n'êtes pas sûr si la boîte électrique est mise à la terre, contacter un électricien qualifié est recommandé. Pour la sécurité, il faut mettre à la terre.
2. Raccordez le fil rouge du récepteur au fil rouge du ventilateur avec un écrou de serrage de fil. Raccordez le fil violet du récepteur au fil violet du ventilateur avec un écrou de serrage de fil. Raccordez le fil bleu du récepteur au fil bleu du ventilateur avec un écrou de serrage de fil. Raccordez le fil gris du récepteur au fil gris du ventilateur avec un écrou de serrage de fil. Raccordez le fil blanc du récepteur au fil blanc du ventilateur avec un écrou de serrage de fil. Raccordez le fil vert ou en cuivre nu de la boîte de sortie aux fils verts du récepteur, du support de suspension et de la boule de la tige descendante avec un écrou de serrage de fil. (Voir fig.6)
3. Retirez l'une des vis et desserrez les autres vis du support de suspension. (Voir fig.7)
4. Montez la canopée sur la console de suspension et serrez les vis. (Voir fig.8)
5. Placer le boîtier du trou de canopée par-dessus les vis et tourner le boîtier pour serrer. (Voir fig.9)

Installez Les Pales

1. Installer la vis, la rondelle, la pale et le support de pale ensemble, puis les fixer fermement. (Voir fig. 10)

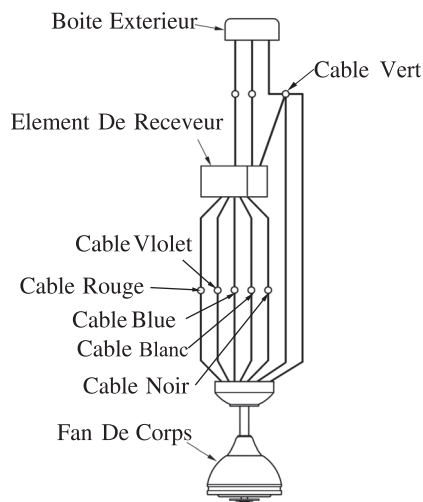


FIG.6

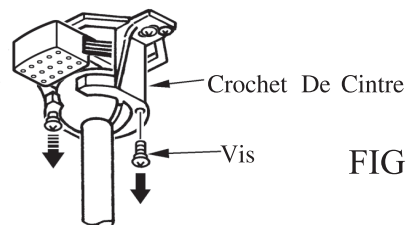


FIG.7

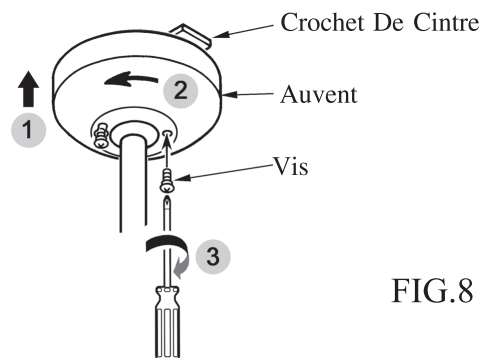


FIG.8

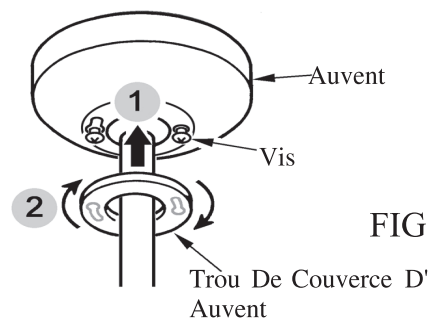


FIG.9

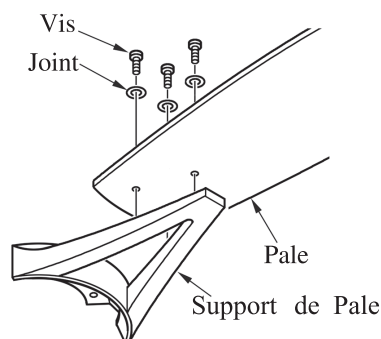


FIG.10

- Fixer chaque assemblage de pale sur le corps du ventilateur en utilisant les vis du support de pale. Les serrer fermement. (Voir fig. 11)

Caution: Pour réduire le risques de blessure personnelle, ne pas courber, balancer ou nettoyer la pale au moment de montage, ne pas insérer l'objet intrus dans les pales en rotation.

Installation du Capuchon Inférieur

Si l'éclairage n'est pas nécessaire, vous pouvez installer le capuchon inférieur.

- Retirer 1 des 3 vis sur l'adaptateur du kit d'éclairage, et desserrer juste les 2 autres vis. (Voir fig.12)

- Tirez doucement le fil à travers la plaque du kit d'éclairage. Placez la fente au-dessus des vis desserrées. Tournez la plaque du kit d'éclairage dans le sens horaire et serrez les vis retirées et desserrées précédemment.(Voir fig 13&14)

- Alignez la rainure du capuchon inférieur avec la languette de la plaque du kit d'éclairage et tournez dans le sens des aiguilles d'une montre jusqu'à ce que le dispositif se verrouille en place et soit stable.(Voir fig.15)

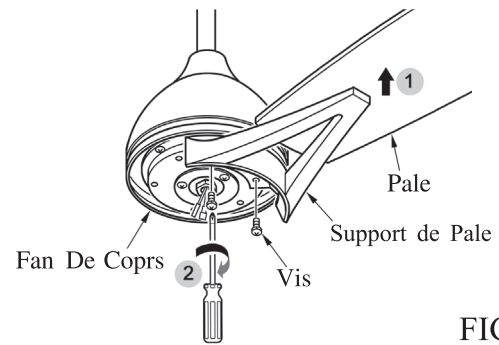


FIG.11

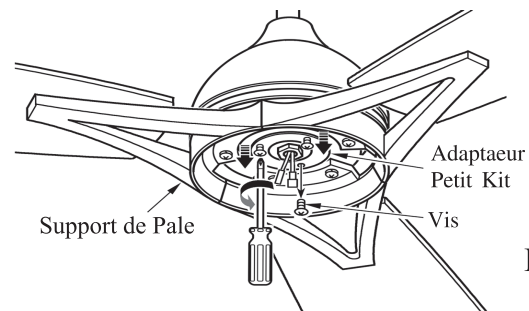


FIG.12

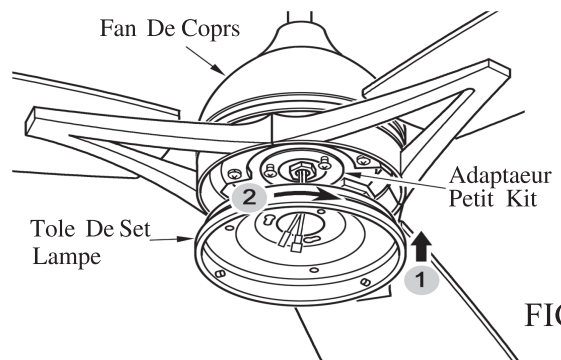


FIG.13

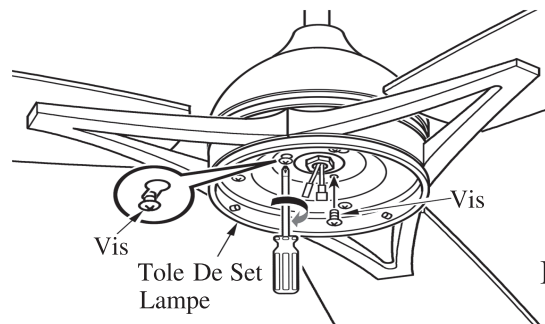


FIG.14

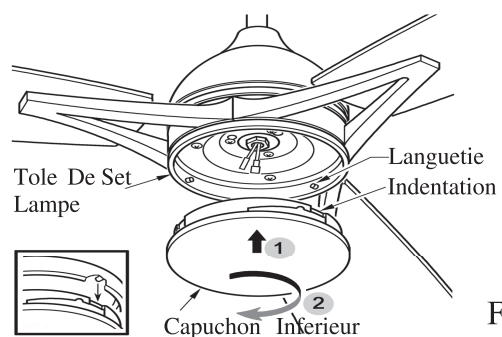


FIG.15

Installation du Kit d'Éclairage

Si la lumière à DEL est nécessaire, vous pouvez installer le module DEL.

1. Retirer 1 des 3 vis sur l'adaptateur du kit d'éclairage, et desserrer juste les 2 autres vis. (Voir fig.16)

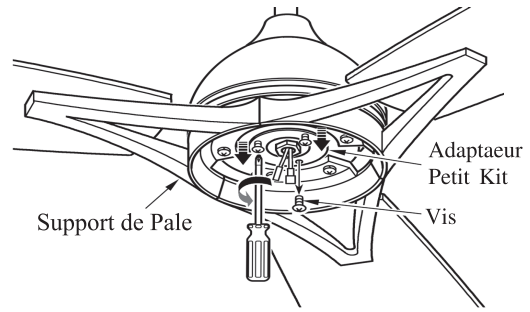


FIG.16

2. Tirez doucement le fil à travers la plaque du kit d'éclairage. Placez la fente au-dessus des vis desserrées. Tournez la plaque du kit d'éclairage dans le sens horaire et serrez les vis retirées et desserrées précédemment. (Voir fig. 17&18)

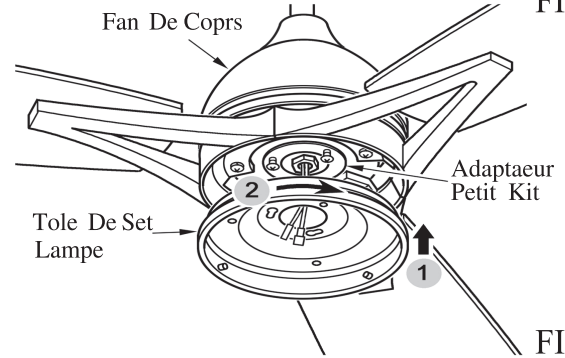


FIG.17

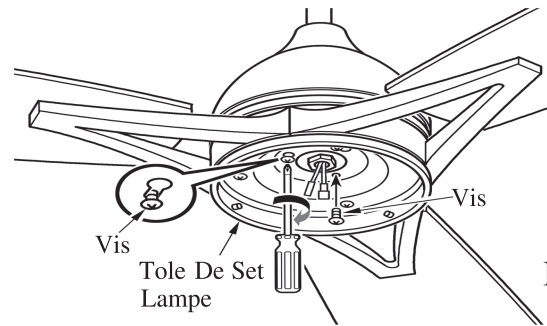


FIG.18

3. Retirez 1 des 3 vis de la plaque du kit d'éclairage et desserrez les 2 autres vis. (Voir fig.19)

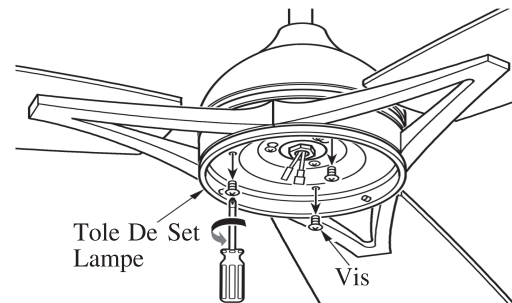


FIG.19

4. Brancher ensemble les fils du kit d'éclairage du ventilateur et ceux de la lumière à DEL. (Voir fig.20)

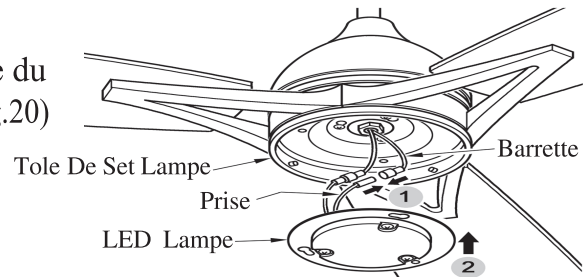


FIG.20

- Faites glisser le kit d'éclairage en plaçant la fente au-dessus des vis de la plaque du kit d'éclairage. Tournez le kit d'éclairage jusqu'à ce qu'il se verrouille en place au niveau de la section étroite des fentes. Ensuite, serrez les vis retirées et desserrées précédemment. (Voir fig.21)

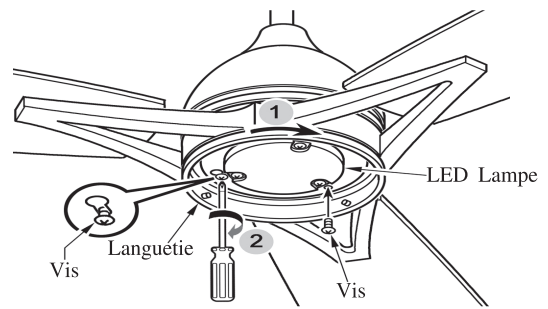


FIG.21

- Placez la visière PC blanche intérieure dans la visière transparente extérieure. (Voir fig.22)

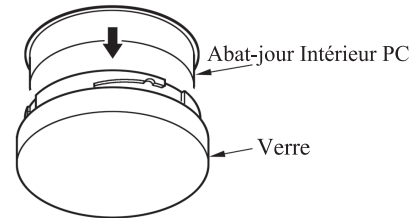


FIG.22

- Fixez l'abat-jour extérieur en faisant coïncider les languettes du kit d'éclairage avec les rainures de l'abat-jour et tournez dans le sens horaire jusqu'à obtenir un bon serrage. (Voir fig.23)

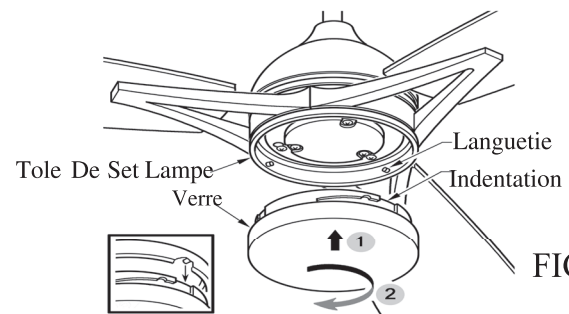


FIG.23

Fonctionnement en été

Au temps chaud, enverser l'interrupteur pour produire le courant d'air vers le bas. La brise permanente et douce va enlever la chaleur de votre corps ; donc vous vous sentirez plus froid sans que la température soit changée. Cet effet de refroidissement est envoyé au facteur de vent frais. Le facteur de vent frais va vous permettre de programmer la température de thermostat plus élevée que d'habitude. Vous consommez ainsi moins d'énergie pour refroidir votre maison, et vous rester toujours frais.

En été pour le rafraîchissement, programmer la commande de vitesse à médium ou rapide. Ceci produira suffisamment de de courant d'air pour atteindre l'effet de rafraîchissement. Une exception est dans la chambre à coucher où le courant d'air pourrait trop fort. Vous programmez donc à la petite vitesse pour produire une brise douce pendant toute une nuit.



Fonctionnement en Hiver

Pour l'hiver, il faut avoir une autre approche. Puisque l'air chaud reste proche du plafond, il y a une différence de 15 degrés – par rapport à l'air proche du sol. Pour éviter la chaleur de rester en haut, on retourne l'interrupteur pour créer un courant d'air vers le haut. Ceci va pousser l'air froid vers le haut et l'air chaud du haut vers le bas. contrôler les vitesses suffisamment fortes pour couper la stratification d'air, avec la faible vitesse pour ne pas créer le courant d'air. En gardant la chaleur circulant, vous resterez chaud sans trop consommer l'énergie.



SOIN DE VOTRE VENTILATEUR

Voici quelques suggestions pour vous aider à préserver votre ventilateur.

1. À cause du mouvement naturel du ventilateur, certaines connexions peuvent se desserrer. Vérifier les connexions de soutien, les supports et les attaches des ailettes deux fois par an. S'assurer que tout est bien attaché. (Il n'est pas nécessaire de démonter le ventilateur du plafond).
2. Nettoyer le ventilateur régulièrement pour permettre de préserver son aspect neuf au cours des années. Utiliser seulement une brosse douce ou un chiffon sans peluche pour éviter de rayer la finition. Le plaquage est protégé par une laque pour réduire au minimum les décolorations ou la ternissure. Ne pas utiliser d'eau pour le nettoyage. Cela pourrait endommager le moteur ou le bois, ou produire peut-être une décharge électrique.
3. Il n'est pas besoin d'huiler le ventilateur. Le moteur possède des roulements lubrifiés d'une façon permanente.

RECHERCHE DES PANNE

PROBLÈME

SOLUTION

Le ventilateur ne démarre pas.

1. Vérifier les fusibles des circuits ou les disjoncteurs.
2. Vérifier les connexions des fils d'alimentation du ventilateur et les connexions des fils d'interrupteur dans le boîtier de l'interrupteur.

Le ventilateur est bruyant.

1. S'assurer que toutes les vis du boîtier du moteur sont serrées.
2. S'assurer que les vis qui attachent le support d'ailette de ventilateur au moyeu du moteur sont serrées.
3. S'assurer que les connexions d'écrou à fil ne frottent pas les unes contre les autres ou contre la paroi interne du boîtier d'interrupteur.
4. Permettre le rodage pendant 24 heures. La plupart des bruits associés à un ventilateur neuf disparaissent au bout de cette période.
5. Si vous utilisez une option de kit de lampe de ventilateur de plafond, s'assurer que les vis qui attachent les pièces en verre sont serrées. Vérifier que l'ampoule électrique est aussi attachée.
6. Ne pas raccorder le ventilateur à une commande de vitesse variable murale(s). Elle ne doit pas toucher le plafond.
7. S'assurer que la partie supérieure du dôme est à une petite distance du plafond.

Fonctionnement défectueux de la télécommande.

1. Ne pas raccorder le ventilateur à une commande de vitesse variable murale(s).

Oscillation de ventilateur.

1. Vérifiez que toutes les lames et les vis de bras de lame soient bien sécurisées.
2. La plupart des problèmes de tremblement du ventilateur sont liés à l'inégalité des lames. Vérifiez ce niveau en sélectionnant un point sur le plafond au-dessus d'une des lames. Mesurez la distance comme indiqué dans. Tournez le ventilateur jusqu'à ce que la lame suivante soit bien positionnée pour la mesure. Répétez pour chaque lame. Les mesures obtenues doivent être dans une limite de 1/8".
3. Utilisez un kit de balancement de lame si vous constatez encore un tremblement des lames.
4. Si les oscillations des ailettes sont toujours visibles, la permutation de deux ailettes adjacentes (l'une à côté de l'autre) peut redistribuer le poids et pourrait produire un fonctionnement plus uniforme.

AVERTISSEMENT: POUR REDUIRE LE RISQUE DE BLESSURE PERSONNELLE, NE PAS PLIER LES SUPPORTS DE LAME DURANT L'INSTALLATION NE PAS BALANCER LES LAMES ET NE PAS NETTOYER LE VENTILATEUR DURANT L'INSTALLATION. NE PAS INSERER DE CORPS ETRANGER ENTRE LES LAMES DU VENTILATEUR EN MOUVEMENT.

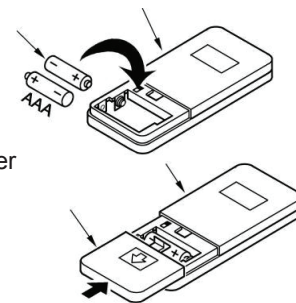
RÉGLAGE ET FONCTIONNEMENT DE LA TÉLÉCOMMANDE

FONCTIONNEMENT DE L'ÉMETTEUR

Retirez le couvercle du compartiment à piles de l'émetteur de la télécommande et installez les piles, remplacez le couvercle.

Remarque : Utiliser 2 piles 1,5 V/AAA (incluses).

Remarque : En cas de non-utilisation prolongée, retirez les piles pour éviter d'endommager le transmetteur à distance, et rangez ce dernier à l'abri de la chaleur et de l'humidité.



RÉGLAGE DE LA GRADATION / NON-GRADATION DE L'ÉCLAIRAGE

Le réglage sur « O » permet de faire varier l'intensité de l'éclairage ; l'éclairage passe de lumineux à faible puis à lumineux jusqu'à ce que la touche soit relâchée. Le réglage sur « I » permet uniquement d'allumer et d'éteindre la lumière (sans fonction de gradation de l'intensité lumineuse). La lumière conservera le dernier réglage lorsqu'elle est éteinte.

Remarque : La télécommande est pré-réglée en usine pour la fonction de gradation,

Remarque : Assurez-vous que l'électricité est coupée avant d'installer le récepteur (cf. les instructions relatives au ventilateur de plafond)

PROCESSUS DE RÉGLAGE DU CODE DE COMMANDE À DISTANCE

Réglage de la fonction d'Apprentissage :

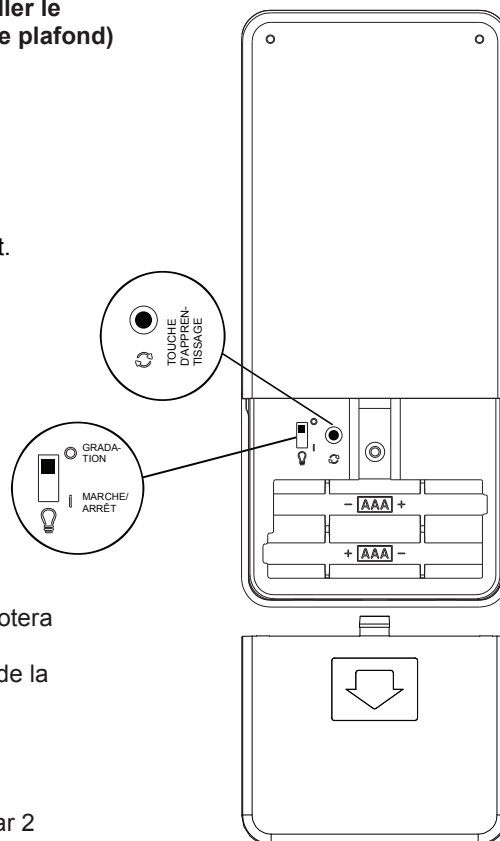
Étape 1) : Placez les deux piles dans l'émetteur, avec le ventilateur éteint.

Étape 2) : Dans les 60 secondes suivant la remise sous tension du ventilateur, vous devez utiliser un stylo à bille ou un outil pour appuyer sur la touche « LEARN » (apprentissage) pendant environ 3 secondes. Une fois que le récepteur a détecté la fréquence, la lumière clignotera deux fois, et l'appairage sera alors un succès. Cela indiquera que le récepteur a assimilé la fréquence qui avait été précédemment sélectionnée sur l'émetteur.

Remarque : L'alimentation doit être coupée pendant au moins 10 secondes, puis remettez l'alimentation en marche pour le réglage de la fonction d'apprentissage de la télécommande.

Remarque : Si le ventilateur a été installé avec une lumière, celle-ci clignotera 2 fois. Le ventilateur tournera dans les deux sens pendant environ 5 minutes, puis s'arrêtera. Le processus de réglage de la télécommande est terminé et votre ventilateur est prêt à être fonctionné à l'aide du télé-émetteur.

Remarque : Pour contrôler plusieurs ventilateurs, assurez-vous que les réglages sont identiques. Un ventilateur peut être contrôlé par 2 émetteurs au maximum.



FONCTIONS DE PROTECTION DU RÉCEPTEUR


Protection par verrouillage - Le moteur CC est doté d'un dispositif de sécurité intégré contre l'obstruction des pales ou du moteur en cours de fonctionnement. Si quelque chose obstrue les pales du ventilateur ou le moteur, le moteur essaiera de fonctionner à 5 reprises, puis s'arrêtera après environ 60 secondes d'interruption. Veuillez retirer les obstacles et réinitialiser. Pour réinitialiser, arrêtez le ventilateur à l'aide du transmetteur à distance, puis remettez-le en marche. Vous pouvez également couper l'alimentation pendant 15 secondes. Rétablissez ensuite l'alimentation, puis mettez le ventilateur en marche.


Protection contre les surcharges (limite de courant) - L'appareil limite la sortie de courant maximale du récepteur/variateur lorsque le ventilateur ou la charge légère augmente anormalement. Le ventilateur s'éteindra s'il est trop éclairé.


Fonctions de Vitesse du Ventilateur et d'Éclairage de la Télécommande.


Vitesse du ventilateur

- 1 = vitesse minimale 2 = vitesse faible
3 = vitesse faible moyenne 4 = vitesse moyenne
5 = vitesse moyenne élevée 6 = vitesse élevée


 Cette touche éteint le ventilateur.

 Touche marche Avant/Arrière - Cette touche permet de contrôler le sens de rotation du ventilateur. Appuyez une fois pour modifier le sens de rotation du ventilateur. Le ventilateur doit fonctionner pour passer en marche arrière.

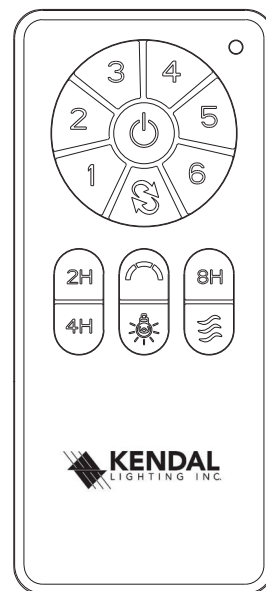
 Changez la couleur-température de la lumière en appuyant sur cette touche et en la relâchant instantanément.

 Touche d'éclairage - Appuyez sur cette touche pour allumer ou éteindre l'éclairage. Pour tamiser la lumière (Réglage sur la position « O »), maintenez la touche enfoncée, la lumière passera de brillante à faible puis à brillante jusqu'à ce que la touche soit relâchée.

Touches de minuterie **2H/4H/8H** - Le ventilateur s'éteindra automatiquement au bout de 2/4/8 heures.

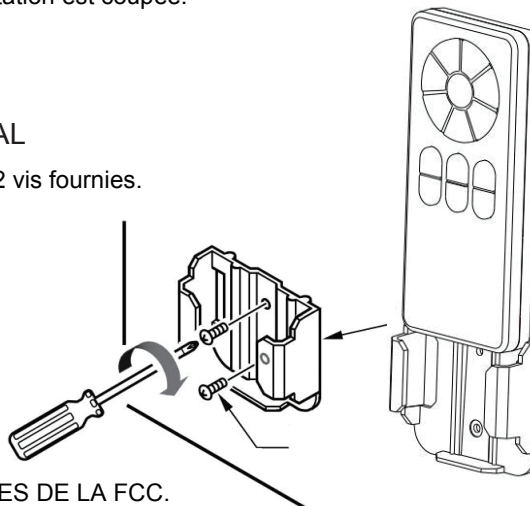
 Brise naturelle - La vitesse du ventilateur se modulera pour simuler une brise naturelle.

Remarque : Cette télécommande est dotée d'une fonction de reprise automatique; le ventilateur et l'éclairage conservent le dernier réglage si l'alimentation est coupée.



INSTALLATION DU SUPPORT DE MONTAGE MURAL

Installez le support de montage mural de l'émetteur à l'aide des 2 vis fournies.



CET APPAREIL EST CONFORME À LA PARTIE 15 DES RÈGLES DE LA FCC.
L'EXPLOITATION EST SUJETTE AUX DEUX CONDITIONS SUIVANTES. (1) CET APPAREIL NE PEUT CAUSER D'INTERFÉRENCE NUISIBLE ET (2) CET APPAREIL DOIT ACCEPTER TOUTE INTERFÉRENCE REÇUE, Y COMPRIS UNE INTERFÉRENCE POUVANT CAUSER UN FONCTIONNEMENT INDÉSIRABLE.

REMARQUE :

1. Lors de la mise sous tension après l'installation, il est possible que le ventilateur démarre automatiquement du fait des réglages d'usine.
2. Si le ventilateur ou la lumière ne fonctionnent pas, réinitialisez l'alimentation (mettez hors tension pendant au moins 10 secondes puis rallumez), puis refaites le réglage de la fonction d'apprentissage.
3. S'il y a plusieurs ventilateurs dans la même pièce, assurez-vous, lors du réglage, que l'alimentation électrique du ventilateur à régler est indépendante de celle des autres ventilateurs.
4. Lors de la mise en marche du ventilateur ou de l'utilisation de la fonction marche avant/arrière, il est normal que le ventilateur tourne et fonctionne dans les deux sens pendant environ une minute, puis s'arrête.