

READ AND SAVE THESE INSTRUCTIONS

INSTALLATION INSTRUCTIONS

Model:AC40252

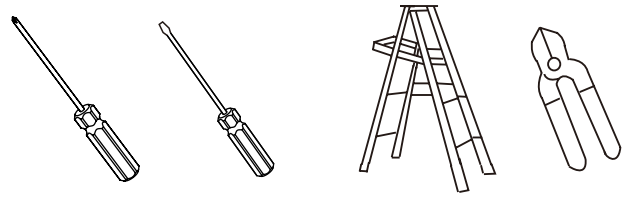


**Kendal Lighting(BC) inc.
#110,6780 Denett Place
Delta,BC V4G 1N4
Canada
Tel:(604)952-5510
Fax:(604)952-5513**

**CETL LISTED MODEL: 52HZ-1088L
Weight of Fan:4.4KGS**

1. TOOLS AND MATERIALS REQUIRED

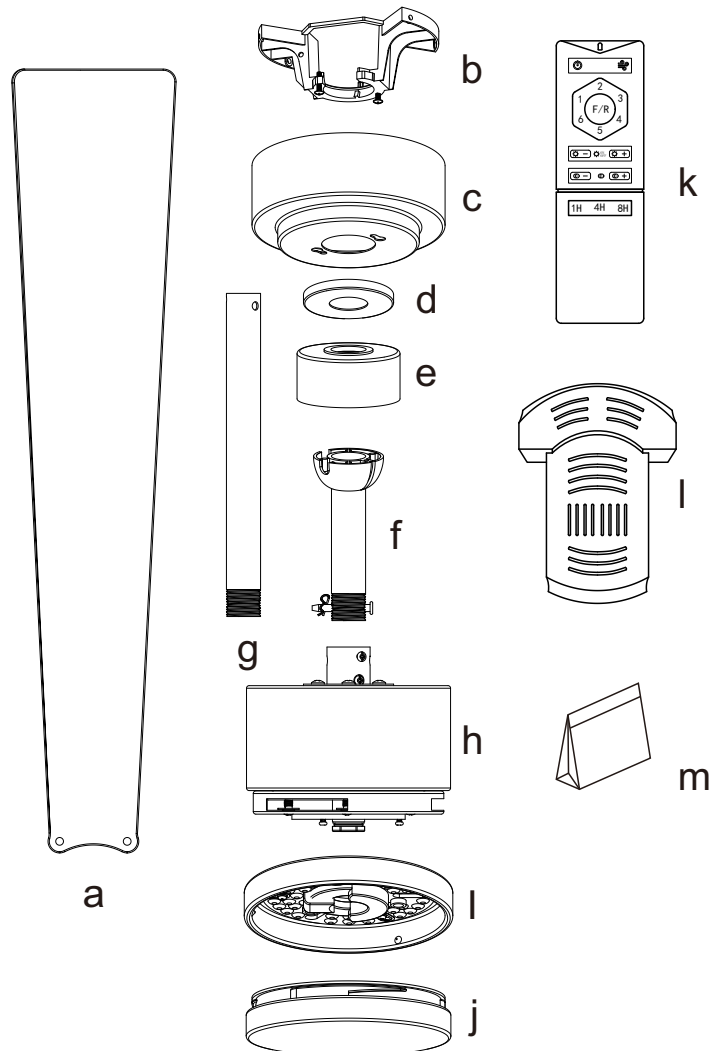
- Philips screw driver
- Blade screw driver
- Step ladder
- Wire cutters



2. PACKAGE CONTENTS

Unpack your fan and check the contents. You should have the following items:

- a. Blade set(3)
 - b. Hanger bracket
 - c. Canopy
 - d. Canopy cover
 - e. Coupling cover
 - f. 5" downrod assembly
 - g. 10" downrod
 - h. Fan motor assembly
 - i. LED light kit
 - j. Lamp shade
 - k. Transmitter assembly
 - l. Receiver
 - m. Package hardware
- (1) Mounting hardware&safety cable screws:
wood screws(3),flat washers(3),
lock washers(3)
machine screws(2),flat washers(2),
lock washers(2)
- (2) Blade attachment hardware:
screws(7)
- (3) Balance kit



3.SAFETY RULES

1. To reduce the risk of electric shock, insure electricity has been turned off at the circuit breaker or fuse box before beginning.
2. All wiring must be in accordance with the National Electrical Code and local electrical codes. Electrical installation should be performed by a qualified licensed electrician.
3. **WARNING:** To reduce the risk of shock, this fan must be installed with an isolating wall control/switch.
4. **WARNING:** To reduce the risk of personal injury, use only the two steel screws (and lock washers) provided with the outlet box for mounting to the outlet box. Most outlet boxes commonly used for the support of lighting fixtures are not acceptable for fan support and may need to be replaced, consult a qualified electrician if in doubt.
5. The outlet box and support structure must be securely mounted and capable of reliably supporting a minimum of 50 pounds. Use only CUL Listed outlet boxes marked "**FOR FAN SUPPORT**".
6. The fan must be mounted with a minimum of 7 feet clearance from the trailing edge of the blades to the floor.
7. For fans with manual reverse, do not operate reversing switch while fan blades are in motion. Fan must be turned off and blades stopped before reversing blade direction.
8. Avoid placing objects in the path of the blades.
9. To avoid personal injury or damage to the fan and other items, be cautious when working around or cleaning the fan.
10. Do not use water or detergents when cleaning the fan or fan blades. A dry dust cloth or lightly dampened cloth will be suitable for most cleaning.
11. After marking electrical connections, spliced conductors should be turned upward and pushed carefully up into outlet box. The wires should be spread apart with the grounded conductor and the equipment-grounding conductor on one side of the outlet box.
12. Electrical diagrams are reference only. Light kit that are not packed with the fan must be CUL Listed and marked suitable for use with the model fan you are installing. Switches must be CUL General Use Switches. Refer to the Instructions packaged with the light kits and switches for proper assembly.

WARNING

TO REDUCE THE RISK OF FIRE, ELECTRIC SHOCK OR PERSONAL INJURY, MOUNT FAN TO OUTLET BOX MARKED "ACCEPTABLE FOR FAN SUPPORT".

WARNING

TO REDUCE THE RISK OF PERSONAL INJURY, DO NOT BEND THE BLADE BRACKETS (ALSO REFERRED TO AS FLANGES) DURING ASSEMBLY OR AFTER INSTALLATION. DO NOT INSERT OBJECTS IN THE PATH OF THE BLADES.

4. MOUNTING OPTIONS

If there isn't an existing CUL listed mounting box, then read the following instructions. Disconnect the power by removing fuses or turning off circuit breakers.

Secure the outlet box directly to the building structure. Use appropriate fasteners and building materials. The outlet box and its support must be able to fully support the moving weight of the fan (at least 50 lbs). Do not use plastic outlet boxes.

Figures 1, 2 and 3 are examples of different ways to mount the outlet box.

Note: You may need a longer downrod to maintain proper blade clearance when installing on a steep, sloped ceiling. (Fig. 3)

To hang your fan where there is an existing fixture but no ceiling joist, you may need an installation hanger bar as shown in Figure 4.

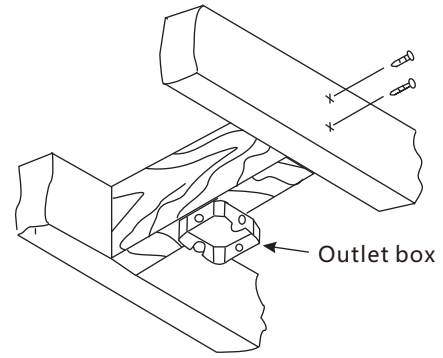


Figure 1

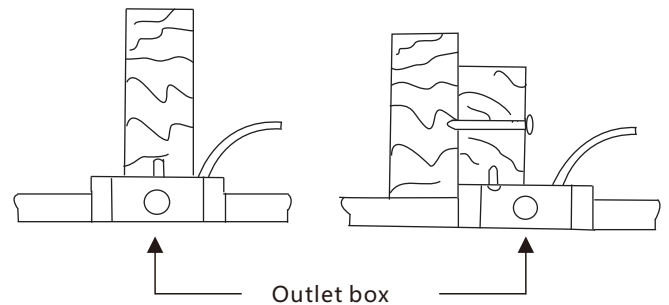


Figure 2

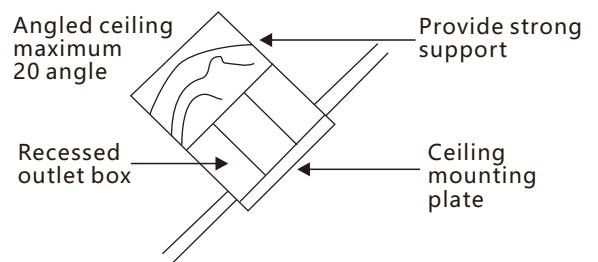


Figure 3

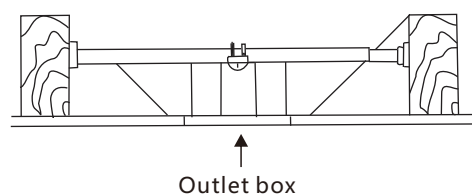


Figure 4

5. ATTACHING THE FAN BLADES

Attach the blade to the fan motor assembly using blade screws. Attach the other blades to the fan motor assembly. (Fig.5)

Note: Please follow the instruction manual and make sure to use correct screws during the installation process.

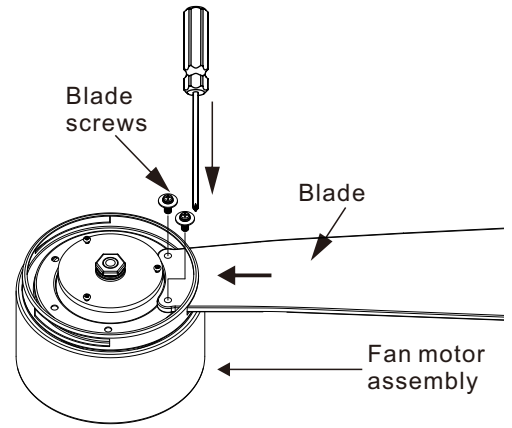


Figure 5

6. ATTACHING THE LED LIGHT KIT

Step 1. Remove 3 screws from light kit adapter. (Do not discard) (Fig. 6)

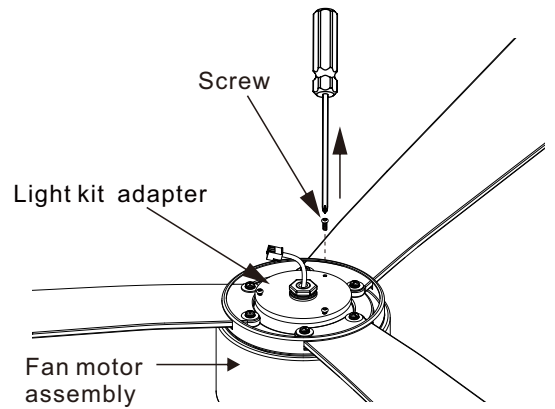


Figure 6

Step 2. Pull the light wire from motor through the hole of light kit. Connect the plug as drawing. (Fig 7)

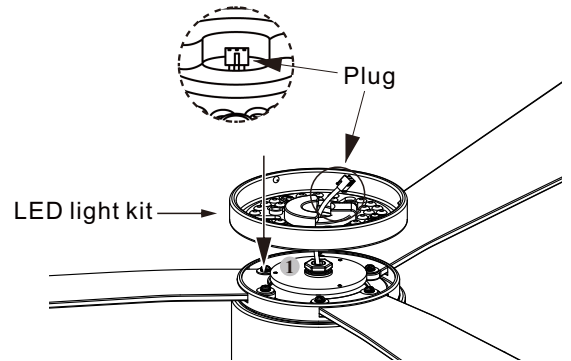


Figure 7

Step 3. Tighten the 3 screws previously removed in step 1 (Fig.8)

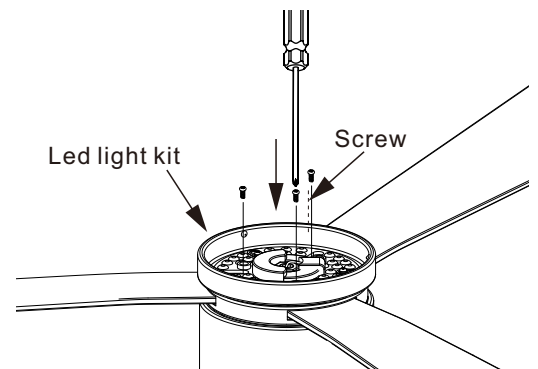


Figure 8

7. HANGING THE FAN

REMEMBER to turn off the power. Follow the steps below to hang your fan properly :

Step 1. Pass the 120-volt supply wires through the center in the ceiling hanger bracket as shown in (Fig. 9)

Step 2. Secure the hanger bracket to the ceiling outlet box with the screws and washers provided.

Step 3.

a. Remove hanger ball from downrod assembly by loosening set screw, removing the cross pin, and sliding hanger ball off downrod.

b. Remove the hanger pin, locking pin from the downrod assembly, and loosen the set screws from the the coupling (Fig. 10)

Step 4.

Loosen the screw on safety cable coupler, then remove the coupler from safety cable. Do not discard the coupler. (Fig. 11)

Step 5. Route the wires and safety cable coupler exiting from the top of the fan motor through the coupling cover, canopy cover and canopy, then through the ball/downrod. (Fig. 12)

Step 6. Thread downrod into the motor coupling until the holes on the downrod and coupling are lined up (Fig.12) Carefully insert the hanger pin through the holes in the collar and downrod. Be careful not to jam the pin against the wiring inside the downrod. Insert the locking pin through the hole near the end of the hanger pin until it snaps into its locked position, as noted in the circle inset of (Fig.12)

Step 7. Tighten two set screws against the downrod on the coupling firmly. (Fig. 12)

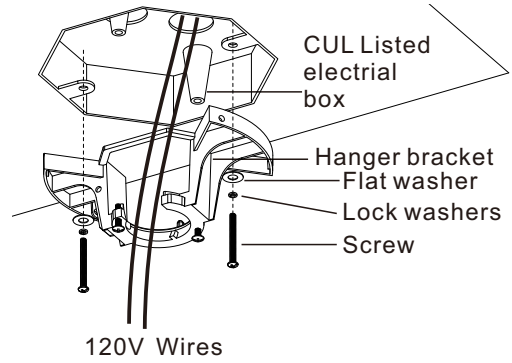


Figure 9

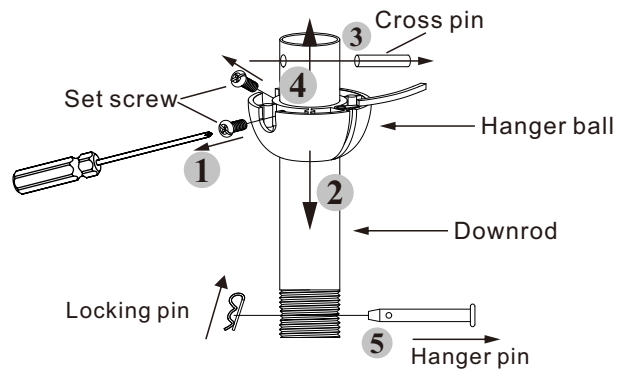


Figure 10

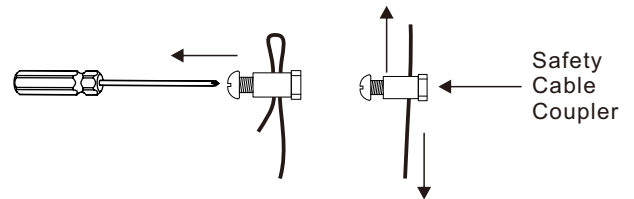


Figure 11

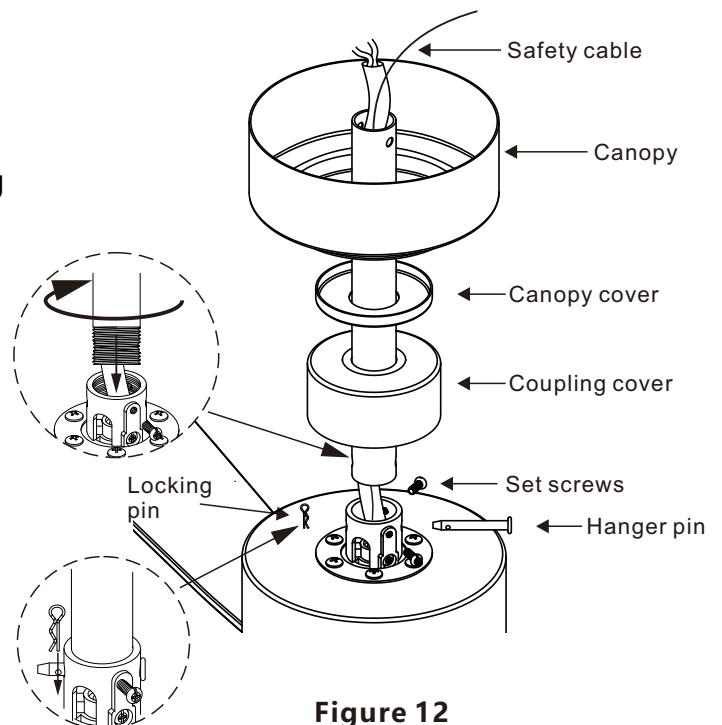


Figure 12

Step 8.

1. Install the hanger ball back to downrod using the reverse steps from (Step 3) (Fig.13)

2. Reinstall the safety cable coupler onto the safety cable using the reverse steps from (Step 4) (Fig.13 a)

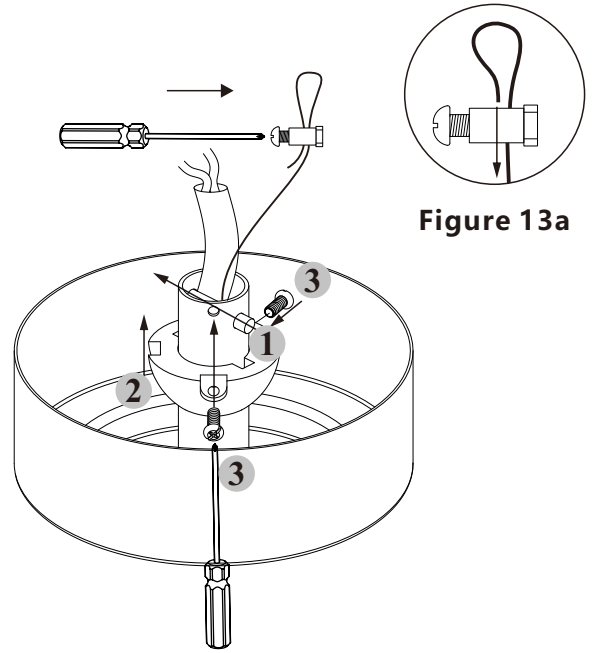


Figure 13

Step 9. Place the downrod ball into the hanger bracket socket. (Fig. 14) And rotate fan and downrod assembly until tab on bracket lines up with slot on ball.

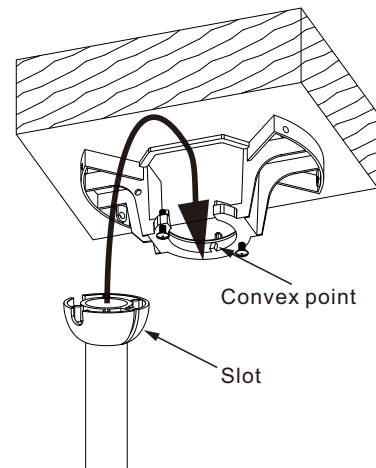


Figure 14

8. MAKE THE ELECTRIC CONNECTIONS

WARNING: To avoid possible electrical shock, be sure electricity is turned off at the main fuse box before wiring.

Step 1. (Fig. 15) Insert the receiver into the hanger bracket with the flat side of the receiver facing the ceiling.

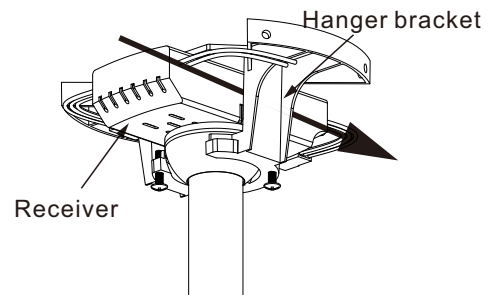


Figure 15

Motor to Receiver Electrical Connections:(Fig.16)

Connect the red wire (**MOTOR 1**) from receiver to the red wire(**MOTOR 1**)from fan with wire nut .
 Connect the brown wire (**MOTOR 2**) from receiver to the brown wire(**MOTOR 2**)from fan with wire nut .
 Connect the gray wire (**MOTOR 3**) of the receiver to the gray wire (**MOTOR 3**) of the fan using a wire nut.

Connect the white wire (**for light**) from receiver to the white wire(**for light**)from fan with wire nut .
 Connect the blue wire (**for light**) from receiver to the blue wire(**for light**)from fan with wire nut .
 Connect the yellow wire (**for light**) from receiver to the yellow wire(**for light**)from fan with wire nut .

Step 3. (Fig.16) **Receiver to House Supply Wires Electrical Connections:** Connect the Black (hot) wire from the ceiling to the black wire marked "AC in L" from the receiver.
 Connect the white (neutral) wire from the ceiling to the white wire marked "AC in N" from the Receiver. Secure the wire connections with the plastic wire nuts provided.

Step 4. (Fig.16) If your outlet box has a ground wire (green or bare copper) connect it to the fan ground wires and the receiver ground wire; otherwise connect the hanging bracket ground wire to the fan and the receiver ground wire. Secure the wire connection with a plastic nut provided. After connecting the wires, spread them apart so that the green and white wires are on one side of the outlet box and other wires are on the other side. Carefully tuck the wire connections up into the outlet box.

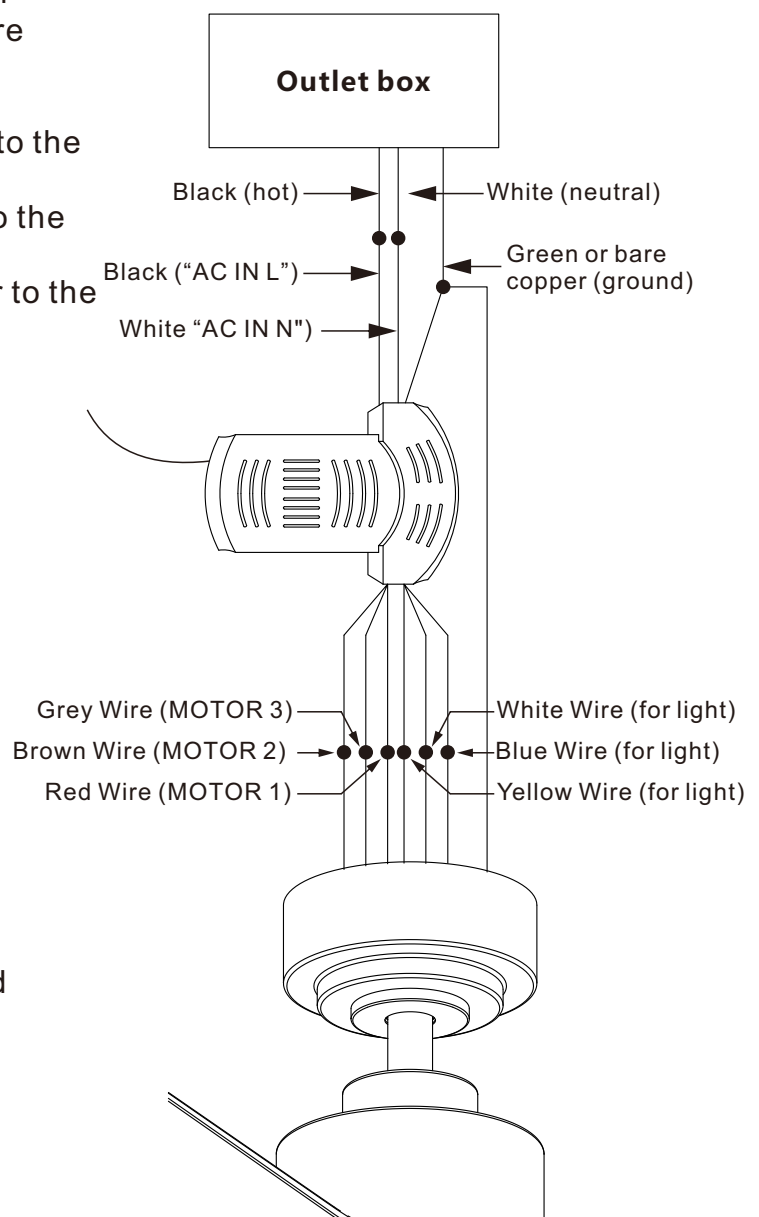


Figure 16

Note: Fan must be installed at a maximum distance of 20 feet from the transmitting unit for proper signal transmission between the transmitting unit and the fan's receiving unit.

9. INSTALLATION OF SAFETY SUPPORT

A safety cable is provided to prevent the fan from falling. Secure the safety cable to the ceiling joist with screw and washer, as illustrated in (Fig.17)

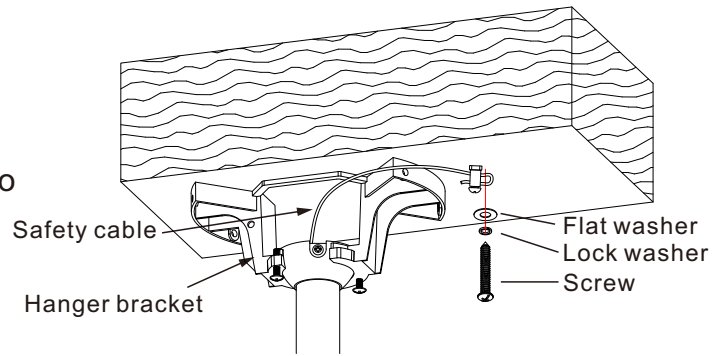


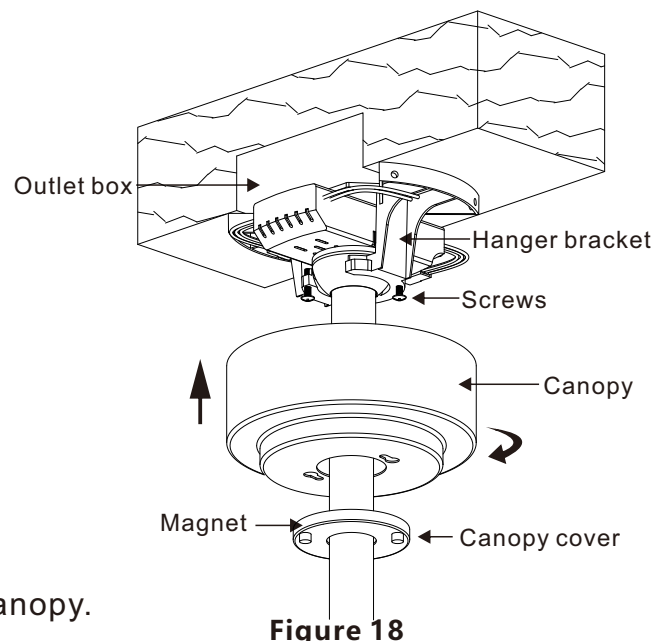
Figure 17

10. FINISHING THE INSTALLATION

Step 1. Tuck connections neatly into ceiling outlet box.

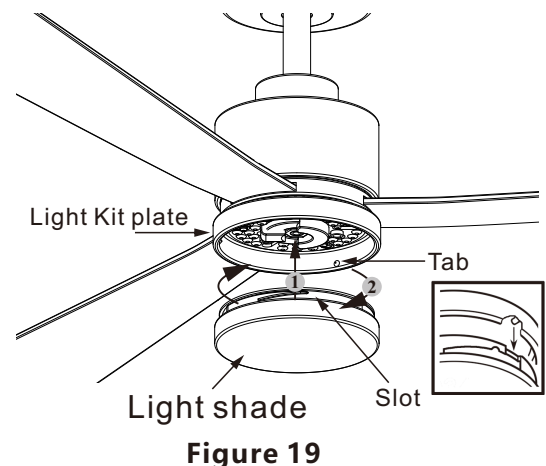
Step 2. Loosen the two screws on the bracket. Slide the canopy up to hanger bracket and place the key hole on the canopy over the screw on the hanger bracket, turn canopy until it locks in place at the narrow section of the key holes then tighten the two screws.(Fig.18)

Step 3. Place the magnetic canopy cover over canopy.



WARNING: Make sure tab at bottom of hanger bracket is properly seated in groove of hanger ball before attaching canopy to bracket. Failure to properly seat tab in groove could cause damage to electrical wiring.

Step 4. Install light shade up against light kit plate and secure it to the fan by turning the light shade clockwise until snug. (DO NOT OVERTIGHTEN). (Fig.19)



11. INSTALLING THE BATTERY

Remove the back cover on the transmitter and install two 1.5V batteries included with the remote control. (Fig. 20)

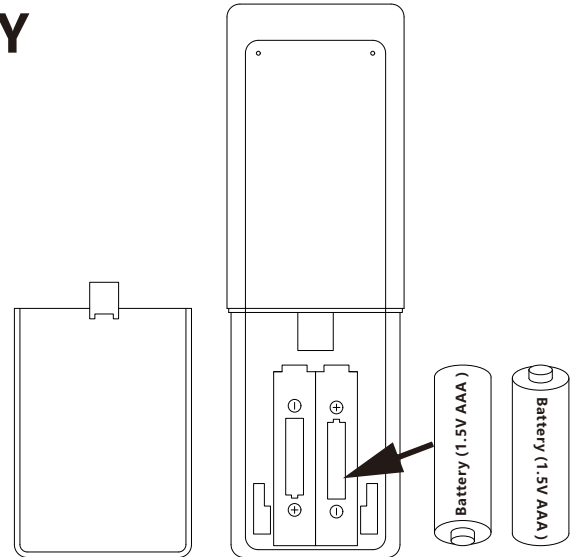



Figure 20

12. LEARNING PROCESS

The receiver and transmitter are already prepared with each other in the production process, and if you encounter a situation that you cannot control, you can pair by the following actions.

Within 10 seconds of turning on the power, press the “” key on the transmitter for 5 seconds, the fan will beep, indicating the transmitter and fan are now paired and ready to operate. (Fig.21)

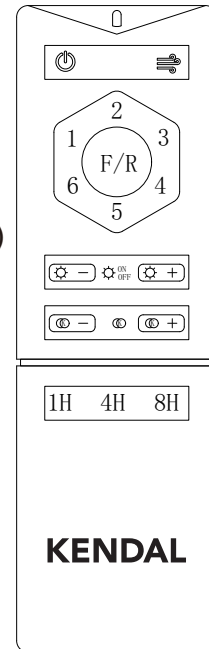


Figure 21

12a. ADDING EXTRA REMOTE (OPTIONAL)

Turn main power to the fan off and repeat learning process above using the new remote.

13. INSTALLING THE TRANSMITTER HOLDER

Attach the remote control holder with the two remote control holder mounting screws. (Fig.22)

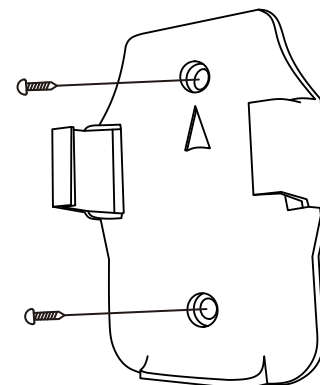


Figure 22

14. OPERATING YOUR TRANSMITTER

- A. Press the "⏻" button to turn off the fan (*this button is only used to turn off the fan, it cannot start the fan, and it will not turn off the LED lamp Fig.23)
- B. 1,2,3,4,5,6 buttons:
 These six buttons are used to set the fan speed as follows:
 1=low speed 2=medium low speed
 3=medium speed 4=medium high speed
 5=high speed 6=extra high speed
- C. Light functions
 Press the "☀️ ON/OFF" button to turn the light on and off
 Long press "☀️ +" to increase the brightness of the LED light
 Long press "☀️ -" to decrease the brightness of the LED light
 Press the "🌈" button to Toggles the LED light's color temperature among the coolest (5000K), neutral (4000K), and warmest (3000K)
 Long press "🌈 +" to decrease the color temperature of the LED light
 Long press "🌈 -" to decrease the color temperature of the LED light

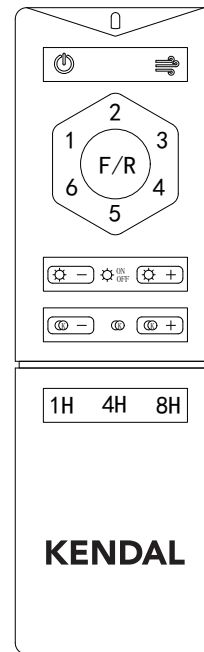


Figure 23

D. Fan reverse button (F/R)

Warm weather-(Forward) A downward airflow creates a cooling effect as shown in (Fig.24) This allows you to set your air conditioner on a warmer setting without affecting your comfort.

Cool weather-(Reverse) An upward airflow moves warm air off the ceiling area as shown in (Fig.25) This allows you to set your heating unit on a cooler setting without affecting your comfort.

E. (1H/4H/8H)Button:

Pressing the (1H / 4H / 8H) button will automatically turn fan off after 1,4,8hours.

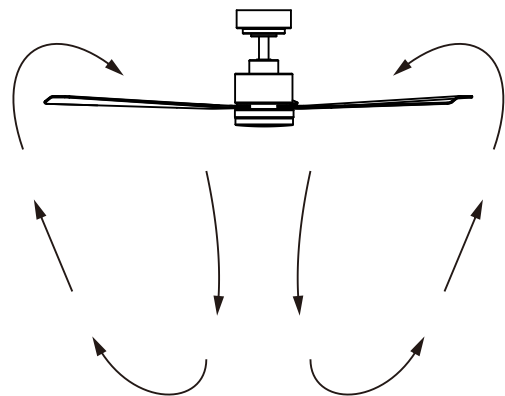


Figure 24

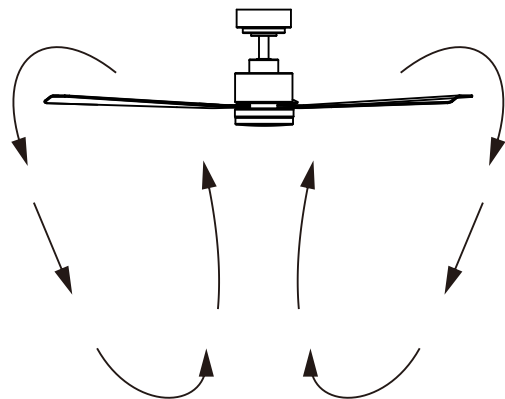


Figure 25

NOTE: To operate the reverse function on this fan, press the reverse button while the fan is running at any speed.

Speed settings for warm or cool weather depend on factors such as the room size. Ceiling height, number of fans and so on.

15. CARE OF YOUR FAN

Here are some suggestions to help maintain your fan.

1. Because of the fan's natural movement some connections may become loose. Check the support connections, brackets and blade attachments twice a year. Make sure they are secure. (It is not necessary to remove fan from the ceiling).
2. Clean your fan periodically to help maintain its new appearance over the years. Use only a soft brush or lint free cloth to avoid scratching the finish. Plated finishes are sealed with lacquer to minimize discoloration or tarnishing. Do not use water when cleaning, this could damage the motor, wood blades or possibly cause an electrical shock.
3. If your fan is provided with wood veneer blades; you can apply a light coat of furniture polish for additional protection and enhanced beauty. Cover small scratches with a light application of shoe polish.
4. Use a lint free lightly damp cloth or duster to remove dust from the blades.
5. There is no need to oil your fan. The motor has permanently lubricated bearings.
6. If your fan is provided with glass shades, clean with lukewarm soapy water and a soft cloth or sponge.

DO NOT IMMERSE GLASS SHADES IN HOT WATER. DO NOT PUT GLASS SHADES INTO AN AUTOMATIC DISHWASHER.

WARNING: Make sure the power is off at the electrical panel box before you attempt any repairs. Refer to the section, "Making Electrical Connections".

16. TROUBLESHOOTING

| Problem | Solution |
|-----------------------------|--|
| Fan will not start. | <ol style="list-style-type: none">1. Check circuit fuses or breakers.2. Check line wire connections to the fan . CAUTION: Make sure main power is off. |
| Fan sounds noisy. | <ol style="list-style-type: none">1. Make sure all motor housing screws are snug.2. Make sure the screws that attach the fan blade bracket to the motor hub is tight.3. Make sure wire nut connections are not rubbing against each other or the interior wall of the switch housing. CAUTION: Make sure main power is off.4. Allow a 24-hour "breaking-in" period. Most noise associated with a new fan disappear during this time.5. If using an optional light kit, make sure the screws securing the glassware are tight. Check that light bulb is also secure.6. Do not connect the fan with wall mounted variable speed control(s).7. Make sure the upper canopy is a short distance from the ceiling. It should not touch the ceiling. |
| Remote control malfunction. | <ol style="list-style-type: none">1. Do not connect the fan with wall mounted variable speed control(s).2. Re-do learning process. |
| Fan wobble. | <ol style="list-style-type: none">1. Check that all blade and blade arm screws are secure.2. Most fan wobbling problems are caused when blade levels are unequal. Check this level by selecting a point on the ceiling above the tip of one of the blades. Measure this distance. Rotate the fan until the next blade is positioned for measurement. Repeat for each blade. The distance deviation should be equal within 1/8".3. If the blade wobble is still noticeable, interchanging two adjacent (side by side) blades can redistribute the weight and possibly result in smoother operation. |

WARNING: TO REDUCE THE RISK OF PERSONAL INJURY, DO NOT BEND THE BLADE ARM WHILE INSTALLING, BALANCING THE BLADES, OR CLEANING THE FAN. DO NOT INSERT FOREIGN OBJECTS BETWEEN ROTATING FAN BLADES.